



**Mud Pump Expendables**

**EMSCO**

**F-350 6 3/4 X 7**

**LINER AND GASKET**

SIZE	CERAMIC LINER	BIMETAL LINER	LINER GASKET
3-1/2"	N/A	OM-0146-34	OMG-0281
4"	N/A	OM-0146-40	OMG-0281
4-1/2"	N/A	OM-0146-44	OMG-0281
5"	N/A	OM-0146-50	OMG-0281
5-1/2"	N/A	OM-0146-54	OMG-0281
6"	N/A	OM-0146-60	OMG-0281
6-1/4"	N/A	OM-0146-62	OMG-0281
6-1/2"	N/A	OM-0146-64	OMG-0281
6-3/4"	N/A	OM-0146-66	OMG-0281

GASKETS	
VALVE COVER GASKET	CYLINDER HEAD GASKET
OMG-0733	OMG-0281

**VALVE AND SEAT SERIES**

SERIES	4-WEB	FULL OPEN	G2	3-WEB
VALVE (Urethane Insert)	OM-U5B-05	N/A	N/A	N/A
VALVE (Rubber Insert)	OM-5B-05	N/A	N/A	N/A
VALVE SEAT	OM-5DD-B1	N/A	N/A	N/A
VALVE SPRING	OM-5710-111	N/A	N/A	N/A
VALVE INSERT (Urethane)	OM-UDD-5B	N/A	N/A	N/A
VALVE INSERT (Rubber)	OM-DD-5B	N/A	N/A	N/A
VALVE SEAT PULLER HEAD	OM-1700-5	N/A	N/A	N/A

**PISTON COMPLETED**

PISTON SIZE	IMPERIAL PISTON	IMPERIAL RUBBER KITS	LONG LIFE URETHANE
4"	OM-I40HK10	OM-I40HK	OM-LL-400-10
4 1/2"	OM-I44HK10	OM-I44HK	OM-LL-440-10
5"	OM-I50HB10	OM-I50HB	OM-LL-500-10
5 1/2"	OM-I54HB10	OM-I54HB	OM-LL-540-10
6"	OM-I60HB10	OM-I60HB	OM-LL-600-10
6 1/2"	OM-I64HL10	OM-I64HL	OM-LL-640-10

**ROD FOR MUD PUMP**

	PISTON ROD	SUB ROD	EXTENSION ROD	ROD CLAMP	PISTON ROD NUT
PART NO.	OM-0147	N/A	OM-16-0142	OM-24-0146	OM-7403224



F-500 6 3/4 X 7 1/2

**LINER AND GASKET**

SIZE	CERAMIC LINER	BIMETAL LINER	LINER GASKET
3-1/2"	N/A	OM-0146-34	OMG-0281
4"	N/A	OM-0146-40	OMG-0281
4-1/2"	N/A	OM-0146-44	OMG-0281
5"	N/A	OM-0146-50	OMG-0281
5-1/2"	N/A	OM-0146-54	OMG-0281
6"	N/A	OM-0146-60	OMG-0281
6-1/4"	N/A	OM-0146-62	OMG-0281
6-1/2"	N/A	OM-0146-64	OMG-0281
6-3/4"	N/A	OM-0146-66	OMG-0281

GASKETS	
VALVE COVER GASKET	CYLINDER HEAD GASKET
OMG-0733	OMG-0281

**VALVE AND SEAT SERIES**

SERIES	4-WEB	FULL OPEN	G2	3-WEB
VALVE (Urethane Insert)	OM-U5B-05	N/A	N/A	N/A
VALVE (Rubber Insert)	OM-5B-05	N/A	N/A	N/A
VALVE SEAT	OM-5DD-B1	N/A	N/A	N/A
VALVE SPRING	OM-5710-111	N/A	N/A	N/A
VALVE INSERT (Urethane)	OM-UDD-5B	N/A	N/A	N/A
VALVE INSERT (Rubber)	OM-DD-5B	N/A	N/A	N/A
VALVE SEAT PULLER HEAD	OM-1700-5	N/A	N/A	N/A

**PISTON COMPLETED**

PISTON SIZE	IMPERIAL PISTON	IMPERIAL RUBBER KITS	LONG LIFE URETHANE
4"	OM-I40HK10	OM-I40HK	OM-LL-400-10
4 1/2"	OM-I44HK10	OM-I44HK	OM-LL-440-10
5"	OM-I50HB10	OM-I50HB	OM-LL-500-10
5 1/2"	OM-I54HB10	OM-I54HB	OM-LL-540-10
6"	OM-I60HB10	OM-I60HB	OM-LL-600-10
6 1/2"	OM-I64HL10	OM-I64HL	OM-LL-640-10

**ROD FOR MUD PUMP**

	PISTON ROD	SUB ROD	EXTENSION ROD	ROD CLAMP	PISTON ROD NUT
PART NO.	OM-0146	N/A	OM-16-0146	OM-24-0146	OM-7403224

Mud Pump Expendables

EMSCO

F-650 6 3/4 X 8

**LINER AND GASKET**

SIZE	CERAMIC	BIMETAL	LINER
------	---------	---------	-------



	LINER	LINER PN	GASKET
3-1/2"	N/A	OM-0146-34	OMG-0281
4"	N/A	OM-0146-40	OMG-0281
4-1/2"	N/A	OM-0146-44	OMG-0281
5"	N/A	OM-0146-50	OMG-0281
5-1/2"	N/A	OM-0146-54	OMG-0281
6"	N/A	OM-0146-60	OMG-0281
6-1/4"	N/A	OM-0146-62	OMG-0281
6-1/2"	N/A	OM-0146-64	OMG-0281
6-3/4"	N/A	OM-0146-66	OMG-0281

GASKETS	
VALVE COVER GASKET	CYLINDER HEAD GASKET
OMG-0733	OMG-0281

#### VALVE AND SEAT SERIES

SERIES	4-WEB	FULL OPEN	G2	3-WEB
VALVE (Urethane Insert)	OM-U5B-05	N/A	N/A	N/A
VALVE (Rubber Insert)	OM-5B-05	N/A	N/A	N/A
VALVE SEAT	OM-5DD-B1	N/A	N/A	N/A
VALVE SPRING	OM-5710-111	N/A	N/A	N/A
VALVE INSERT (Urethane)	OM-UDD-5B	N/A	N/A	N/A
VALVE INSERT (Rubber)	OM-DD-5B	N/A	N/A	N/A
VALVE SEAT PULLER HEAD	OM-1700-5	N/A	N/A	N/A

#### PISTON COMPLETED

PISTON SIZE	IMPERIAL PISTON	IMPERIAL RUBBER KITS	LONG LIFE URETHANE
4"	OM-I40HK14/15	OM-I40HK	OM-LL-400
4 1/2"	OM-I44HK14/15	OM-I44HK	OM-LL-440
5"	OM-I50HB14/15	OM-I50HB	OM-LL-500
5 1/2"	OM-I54HB14/15	OM-I54HB	OM-LL-540
6"	OM-I60HB14/15	OM-I60HB	OM-LL-600
6 1/2"	OM-I64HL14/15	OM-I64HL	OM-LL-640

#### ROD FOR MUD PUMP

	PISTON ROD	SUB ROD	EXTENSION ROD	ROD CLAMP	PISTON ROD NUT
PART NO.	OM-0151	N/A	OM-16-0141	OM-24-0147	OM-7403364

Mud Pump Expendables

EMSCO

F-800 7 X 9

#### LINER AND GASKET

SIZE	CERAMIC LINER	BIMETAL LINER	LINER GASKET
4"	OM-F08CL-40	OM-0148-40	OMG-0282
4-1/2"	OM-F08CL-44	OM-0148-44	OMG-0282



GASKETS	
VALVE COVER GASKET	CYLINDER HEAD GASKET
OMG-0740	OMG-0282

5"	OM-F08CL-50	OM-0148-50	OMG-0282
5-1/2"	OM-F10CL-54	OM-0148-54	OMG-0282
5-3/4"	OM-F10CL-56	OM-0148-56	OMG-0282
6"	OM-F10CL-60	OM-0148-60	OMG-0282
6-1/4"	OM-F08CL-62	OM-0148-62	OMG-0282
6-1/2"	OM-F08CL-64	OM-0148-64	OMG-0282
6-3/4"	OM-F08CL-66	OM-0148-66	OMG-0282
7"	OM-F08CL-70	OM-0148-70	OMG-0282

#### VALVE AND SEAT SERIES

SERIES	4-WEB	FULL OPEN	G2	NF
VALVE (Urethane Insert)	OM-U5B-EH	OM-6FO-V1	OM-1560995	OM-RN6-V1
VALVE (Rubber Insert)	OM-5B-EH	N/A	N/A	N/A
VALVE SEAT	OM-6ADD-B6	OM-6FO-S1	OM-1561380	OM-RN6-S6
VALVE SPRING	OM-5710-115	OM-5710-115	OM-1560701	OM-5710-115
VALVE INSERT (Urethane)	OM-UDD-6AB	OM-6FO-SI	OM-1560587	OM-RN6-I
VALVE INSERT (Rubber)	OM-DD-6AB	N/A	N/A	N/A
VALVE SEAT PULLER HEAD	OM-1700-6	OM-1700-6FO	OM-1700-6G2	OM-1700-6FO

#### PISTON COMPLETED

PISTON SIZE	IMPERIAL PISTON	IMPERIAL RUBBER KITS	LONG LIFE URETHANE
4"	OM-I40HK14/15	OM-I40HK	OM-LL-400
4 1/2"	OM-I44HK14/15	OM-I44HK	OM-LL-440
5"	OM-I50HB14/15	OM-I50HB	OM-LL-500
5 1/2"	OM-I54HB14/15	OM-I54HB	OM-LL-540
6"	OM-I60HB14/15	OM-I60HB	OM-LL-600
6 1/2"	OM-I64HL14/15	OM-I64HL	OM-LL-640

#### ROD FOR MUD PUMP

	PISTON ROD	SUB ROD	EXTENSION ROD	ROD CLAMP	PISTON ROD NUT
PART NO.	OM-0150	N/A	OM-16-0150	OM-24-0150	OM-7403364



**Mud Pump Expendables**

**EMSCO**

**F-1000 7 X 10**

**LINER AND GASKET**

SIZE	CERAMIC LINER	BIMETAL LINER	LINER GASKET
4"	OM-F08CL-40	OM-0148-40	OMG-0282
4-1/2"	OM-F08CL-44	OM-0148-44	OMG-0282
5"	OM-F08CL-50	OM-0148-50	OMG-0282
5-1/2"	OM-F10CL-54	OM-0148-54	OMG-0282
5-3/4"	OM-F10CL-56	OM-0148-56	OMG-0282
6"	OM-F10CL-60	OM-0148-60	OMG-0282
6-1/4"	OM-F08CL-62	OM-0148-62	OMG-0282
6-1/2"	OM-F08CL-64	OM-0148-64	OMG-0282
6-3/4"	OM-F08CL-66	OM-0148-66	OMG-0282
7"	OM-F08CL-70	OM-0148-70	OMG-0282

GASKETS	
VALVE COVER GASKET	CYLINDER HEAD GASKET
OMG-0740	OMG-0282

**VALVE AND SEAT SERIES**

SERIES	4-WEB	FULL OPEN	G2	NF
VALVE (Urethane Insert)	OM-U5B-EH	OM-6FO-V1	OM-1560995	OM-RN6-V1
VALVE (Rubber Insert)	OM-5B-EH	N/A	N/A	N/A
VALVE SEAT	OM-6ADD-B6	OM-6FO-S1	OM-1561380	OM-RN6-S6
VALVE SPRING	OM-5710-115	OM-5710-115	OM-1560701	OM-5710-115
VALVE INSERT (Urethane)	OM-UDD-6AB	OM-6FO-SI	OM-1560587	OM-RN6-I
VALVE INSERT (Rubber)	OM-DD-6AB	N/A	N/A	N/A
VALVE SEAT PULLER HEAD	OM-1700-6	OM-1700-6FO	OM-1700-6G2	OM-1700-6FO

**PISTON COMPLETED**

PISTON SIZE	IMPERIAL PISTON	IMPERIAL RUBBER KITS	LONG LIFE URETHANE
4"	OM-I40HK14/15	OM-I40HK	OM-LL-400
4 1/2"	OM-I44HK14/15	OM-I44HK	OM-LL-440
5"	OM-I50HB14/15	OM-I50HB	OM-LL-500
5 1/2"	OM-I54HB14/15	OM-I54HB	OM-LL-540
6"	OM-I60HB14/15	OM-I60HB	OM-LL-600
6 1/2"	OM-I64HL14/15	OM-I64HL	OM-LL-640

**ROD FOR MUD PUMP**

	PISTON ROD	SUB ROD	EXTENSION ROD	ROD CLAMP	PISTON ROD NUT
<b>PART NO.</b>	OM-0148	N/A	OM-16-0148	OM-24-0148	OM-7403364



**LINER AND GASKET**

SIZE	BIMETAL LINER PN	CERAMIC LINER	LINER GASKET
4"	OM-2145-40	N/A	OMG-0800
4-1/2"	OM-2145-44	N/A	OMG-0800
5"	OM-2145-50	OM-FB16CL-50	OMG-0800
5-1/2"	OM-2145-54	OM-FB16CL-54	OMG-0800
5-3/4"	OM-2145-56	OM-FB16CL-56	OMG-0800
6"	OM-2145-60	OM-FB16CL-60	OMG-0800
6-1/4"	OM-2145-62	OM-FB16CL-62	OMG-0800
6-1/2"	OM-2145-64	OM-FB16CL-64	OMG-0800
6-3/4"	OM-2145-66	OM-FB16CL-66	OMG-0800
7"	OM-2145-70	OM-FB16CL-70	OMG-0800
7-1/2"	OM-2145-74	OM-FB16CL-74	OMG-0800

GASKETS	
VALVE COVER GASKET	CYLINDER HEAD GASKET
OMG-0741	OMG-0801

**VALVE AND SEAT SERIES**

SERIES	4-WEB	FULL OPEN	G2	3-WEB
VALVE (Urethane Insert)	OM-U5C-EEF	OM-7FO-V1	OM-1560985	OM-202PZL482A
VALVE (Rubber Insert)	OM-5C-EEF	N/A	N/A	OM-202PZL483A
VALVE SEAT	OM-7DD-B1	OM-7FO-S1	OM-1561370	OM-202PZL039
VALVE SPRING	OM-5710-110	OM-5710-115L	OM-1560702	OM-5710-110
VALVE INSERT (Urethane)	OM-UDD-7B	OM-7FO-SI	OM-1560557	OM-201PZL106
VALVE INSERT (Rubber)	OM-DD-7B	N/A	N/A	OM-202PZL106
VALVE SEAT PULLER HEAD	OM-1700-7	OM-1700-7FO	OM-1700-7GR	OM-1700-7R

**PISTON COMPLETED**

PISTON SIZE	IMPERIAL PISTON	IMPERIAL RUBBER KITS	LONG LIFE URETHANE
4"	OM-I40HK14/15	OM-I40HK	OM-LL-400
4 1/2"	OM-I44HK14/15	OM-I44HK	OM-LL-440
5"	OM-I50HB14/15	OM-I50HB	OM-LL-500
5 1/2"	OM-I54HB14/15	OM-I54HB	OM-LL-540
6"	OM-I60HB14/15	OM-I60HB	OM-LL-600
6 1/2"	OM-I64HL14/15	OM-I64HL	OM-LL-640
7"	OM-I70HL14/15	OM-I70HL	OM-LL-700

**ROD FOR MUD PUMP**

	PISTON ROD	SUB ROD	EXTENSION ROD	ROD CLAMP	PISTON ROD NUT
PART NO.	OM-2145	N/A	OM-16-0145	OM-24-0145	OM-7403364





**Mud Pump Expendables**

**EMSCO**

**FB-1600 7 X 12**

**LINER AND GASKET**

SIZE	BIMETAL LINER PN	CERAMIC LINER	LINER GASKET
4"	OM-2145-40	N/A	OMG-0800
4-1/2"	OM-2145-44	N/A	OMG-0800
5"	OM-2145-50	OM-FB16CL-50	OMG-0800
5-1/2"	OM-2145-54	OM-FB16CL-54	OMG-0800
5-3/4"	OM-2145-56	OM-FB16CL-56	OMG-0800
6"	OM-2145-60	OM-FB16CL-60	OMG-0800
6-1/4"	OM-2145-62	OM-FB16CL-62	OMG-0800
6-1/2"	OM-2145-64	OM-FB16CL-64	OMG-0800
6-3/4"	OM-2145-66	OM-FB16CL-66	OMG-0800
7"	OM-2145-70	OM-FB16CL-70	OMG-0800
7-1/2"	OM-2145-74	OM-FB16CL-74	OMG-0800

GASKETS	
VALVE COVER GASKET	CYLINDER HEAD GASKET
OMG-0741	OMG-0801

**VALVE AND SEAT SERIES**

SERIES	4-WEB	FULL OPEN	G2	3-WEB
VALVE (Urethane Insert)	OM-U5C-EEF	OM-7FO-V1	OM-1560985	OM-202PZL482A
VALVE (Rubber Insert)	OM-5C-EEF	N/A	N/A	OM-202PZL483A
VALVE SEAT	OM-7DD-B1	OM-7FO-S1	OM-1561370	OM-202PZL039
VALVE SPRING	OM-5710-110	OM-5710-115L	OM-1560702	OM-5710-110
VALVE INSERT (Urethane)	OM-UDD-7B	OM-7FO-SI	OM-1560557	OM-201PZL106
VALVE INSERT (Rubber)	OM-DD-7B	N/A	N/A	OM-202PZL106

**PISTON COMPLETED**

PISTON SIZE	IMPERIAL PISTON	IMPERIAL RUBBER KITS	LONG LIFE URETHANE
4"	OM-I40HK14/15	OM-I40HK	OM-LL-400
4 1/2"	OM-I44HK14/15	OM-I44HK	OM-LL-440
5"	OM-I50HB14/15	OM-I50HB	OM-LL-500
5 1/2"	OM-I54HB14/15	OM-I54HB	OM-LL-540
6"	OM-I60HB14/15	OM-I60HB	OM-LL-600
6 1/2"	OM-I64HL14/15	OM-I64HL	OM-LL-640

**ROD FOR MUD PUMP**

	PISTON ROD	SUB ROD	EXTENSION ROD	ROD CLAMP	PISTON ROD NUT
PART NO.	OM-2145	N/A	OM-16-0145	OM-24-0145	OM-7403364



**Mud Pump Expendables**

**GARDNER DENVER**

**PAH 5 X 8 & PJ-8A**

**LINER AND GASKET**

SIZE	BIMETAL LINER PN	CERAMIC LINER	LINER GASKET
3-1/2"	OM-0193-34	N/A	OMG-0754
4"	OM-0193-40	N/A	OMG-0754
4-1/2"	OM-0193-44	N/A	OMG-0754
5"	OM-0193-50Cr	N/A	OMG-0754

GASKETS	
VALVE COVER GASKET	CYLINDER HEAD GASKET
OMG-0799	OMG-0799

\*Large OD.

**VALVE AND SEAT SERIES**

SERIES	4-WEB	FULL OPEN	3-WEB
VALVE (Urethane Insert)	OM-U5B-13	OM-4FO-V1	OM-PJ482A
VALVE (Rubber Insert)	OM-5B-13	N/A	N/A
VALVE SEAT	OM-4DD-B1	OM-4FO-S5	OM-PJ451
VALVE SPRING	OM-5710-078	OM-5710-33	OM-5710-078
VALVE INSERT (Urethane)	OM-UDD-4B	OM-4FO-SI	OM-PJ452
VALVE INSERT (Rubber)	OM-DD-4B	N/A	N/A
VALVE SEAT PULLER HEAD	OM-1700-4	OM-1700-4FO	OM-1700-4GD

**PISTON COMPLETED**

PISTON SIZE	IMPERIAL PISTON	IMPERIAL RUBBER KITS	LONG LIFE URETHANE
3"	OM-I30HK14/15	OM-I30HK	N/A
3 1/2"	OM-I34HK14/15	OM-I34HK	N/A
4"	OM-I40HK14/15	OM-I40HK	OM-LL-400
4 1/2"	OM-I44HK14/15	OM-I44HK	OM-LL-440
5"	OM-I50HB14/15	OM-I50HB	OM-LL-500

**ROD FOR MUD PUMP**

	PISTON ROD	SUB ROD	EXTENSION ROD	ROD CLAMP	PISTON ROD NUT
CLAMP TYPE	PJ183A	N/A	N/A	N/A	50V14







**Mud Pump Expendables**

**GARDNER DENVER**

**PZ-7 PZ-GA & GB 7 X 7**

**LINER AND GASKET**

SIZE	BIMETAL LINER PN	CERAMIC LINER	LINER GASKET
4"	OM-1192-40	OM-PZ7CL-40	OMG-0692
4-1/2"	OM-1192-44	OM-PZ7CL-44	OMG-0692
5"	OM-1192-50	OM-PZ7CL-50	OMG-0692
5-1/2"	OM-1192-54	OM-PZ7CL-54	OMG-0692
6"	OM-1192-60	OM-PZ7CL-60	OMG-0692
6-1/2"	OM-1192-64	OM-PZ7CL-64	OMG-0692
6-3/4"	OM-1192-66	OM-PZ7CL-66	OMG-0692
7"	OM-1192-70	OM-PZ7CL-70	OMG-0692

GASKETS	
VALVE COVER GASKET	CYLINDER HEAD GASKET
OMG-0749	OMG-0749

**VALVE AND SEAT SERIES**

SERIES	4-WEB	FULL OPEN	G2	3-WEB
VALVE (Urethane Insert)	OM-U5C-EEF	OM-7FO-V1	OM-1560985	OM-202PZL482A
VALVE (Rubber Insert)	OM-5C-EEF	N/A	N/A	OM-202PZL483A
VALVE SEAT	OM-7DD-B1	OM-7FO-S1	OM-1561370	OM-202PZL039
VALVE SPRING	OM-5710-110	OM-5710-115L	OM-1560702	OM-5710-110
VALVE INSERT (Urethane)	OM-UDD-7B	OM-7FO-SI	OM-1560557	OM-201PZL106
VALVE INSERT (Rubber)	OM-DD-7B	N/A	N/A	OM-202PZL106
VALVE SEAT PULLER HEAD	OM-1700-7	OM-1700-7FO	N/A	N/A

**PISTON COMPLETED**

PISTON SIZE	IMPERIAL PISTON	IMPERIAL RUBBER KITS	LONG LIFE URETHANE
4"	OM-I40HK14/15	OM-I40HB	OM-LL-400
4 1/2"	OM-I44HK14/15	OM-I44HB	OM-LL-440
5"	OM-I50HB14/15	OM-I50HB	OM-LL-500
5 1/2"	OM-I54HB14/15	OM-I54HB	OM-LL-540
6"	OM-I60HB14/15	OM-I60HB	OM-LL-600
6 1/2"	OM-I64HL14/15	OM-I64HL	OM-LL-640
7"	OM-I70HL14/15	OM-I70HL	OM-LL-700

**ROD FOR MUD PUMP**

	PISTON ROD	SUB ROD	EXTENSION ROD	ROD CLAMP	PISTON ROD NUT
CLAMP TYPE	OM-0205	N/A	OM-16-0205	OM-24-0191	OM-7403364
THREAD TYPE	OM-0196	N/A	OM-16-0196	N/A	OM-7403364



**Mud Pump Expendables**

**GARDNER DENVER**

**PZ-8 PZ-H-E, VE 7 X 8**

**LINER AND GASKET**

SIZE	BIMETAL LINER PN	CERAMIC LINER	LINER GASKET
4"	OM-1191-40	OM-PZ9CL-40	OMG-0692
4-1/2"	OM-1191-44	OM-PZ9CL-44	OMG-0692
5"	OM-1191-50	OM-PZ9CL-50	OMG-0692
5-1/2"	OM-1191-54	OM-PZ9CL-54	OMG-0692
6"	OM-1191-60	OM-PZ9CL-60	OMG-0692
6-1/4"	OM-1191-62	OM-PZ9CL-62	OMG-0692
6-1/2"	OM-1191-64	OM-PZ9CL-64	OMG-0692
6-3/4"	OM-1191-66	OM-PZ9CL-66	OMG-0692
7"	OM-1191-70	OM-PZ9CL-70	OMG-0692

GASKETS	
VALVE COVER GASKET	CYLINDER HEAD GASKET
OMG-0749	OMG-0749

**VALVE AND SEAT SERIES**

SERIES	4-WEB	FULL OPEN	G2	3-WEB
VALVE (Urethane Insert)	OM-U5C-EEF	OM-7FO-V1	OM-1560985	OM-202PZL482A
VALVE (Rubber Insert)	OM-5C-EEF	N/A	N/A	OM-202PZL483A
VALVE SEAT	OM-7DD-B1	OM-7FO-S1	OM-1561370	OM-202PZL039
VALVE SPRING	OM-5710-110	OM-5710-115L	OM-1560702	OM-5710-110
VALVE INSERT (Urethane)	OM-UDD-5B	OM-7FO-SI	OM-1560557	OM-201PZL106
VALVE INSERT (Rubber)	OM-DD-7B	N/A	N/A	OM-201PZL106
VALVE SEAT PULLER HEAD	OM-1700-7	OM-1700-7FO	OM-1700-7GR	OM-1700-7R

**PISTON COMPLETED**

PISTON SIZE	IMPERIAL PISTON	IMPERIAL RUBBER KITS	LONG LIFE URETHANE
4"	OM-I40HK14/15	OM-I40HK	OM-LL-400
4 1/2"	OM-I44HK14/15	OM-I44HK	OM-LL-440
5"	OM-I50HB14/15	OM-I50HB	OM-LL-500
5 1/2"	OM-I54HB14/15	OM-I54HB	OM-LL-540
6"	OM-I60HB14/15	OM-I60HB	OM-LL-600
6 1/2"	OM-I64HL14/15	OM-I64HL	OM-LL-640
7"	OM-I70HL14/15	OM-I70HL	OM-LL-700

**ROD FOR MUD PUMP**

	PISTON ROD	SUB ROD	EXTENSION ROD	ROD CLAMP	PISTON ROD NUT
CLAMP TYPE	OM-0191	N/A	OM-16-0192	OM-24-0191	OM-7403364
THREAD TYPE	OM-0202	N/A	OM-16-0196	N/A	OM-7403364



**Mud Pump Expendables**

**GARDNER DENVER**

**PZ-9 PZ-GA & GB, 7 X 9**

**LINER AND GASKET**

SIZE	BIMETAL LINER PN	CERAMIC LINER	LINER GASKET
4"	OM-1191-40	OM-PZ9CL-40	OMG-0692
4-1/2"	OM-1191-44	OM-PZ9CL-44	OMG-0692
5"	OM-1191-50	OM-PZ9CL-50	OMG-0692
5-1/2"	OM-1191-54	OM-PZ9CL-54	OMG-0692
6"	OM-1191-60	OM-PZ9CL-60	OMG-0692
6-1/4"	OM-1191-62	OM-PZ9CL-62	OMG-0692
6-1/2"	OM-1191-64	OM-PZ9CL-64	OMG-0692
6-3/4"	OM-1191-66	OM-PZ9CL-66	OMG-0692
7"	OM-1191-70	OM-PZ9CL-70	OMG-0692

GASKETS	
VALVE COVER GASKET	CYLINDER HEAD GASKET
OMG-0749	OMG-0749

**VALVE AND SEAT SERIES**

SERIES	4-WEB	FULL OPEN	G2	3-WEB
VALVE (Urethane Insert)	OM-U5C-EEF	OM-7FO-V1	OM-1560985	OM-202PZL482A
VALVE (Rubber Insert)	OM-5C-EEF	N/A	N/A	OM-202PZL483A
VALVE SEAT	OM-7DD-B1	OM-7FO-S1	OM-1561370	OM-202PZL039
VALVE SPRING	OM-5710-110	OM-5710-115L	OM-1560702	OM-5710-110
VALVE INSERT (Urethane)	OM-UDD-7B	OM-7FO-SI	OM-1560557	OM-201PZL106
VALVE INSERT (Rubber)	OM-DD-7B	N/A	N/A	OM-202PZL106
VALVE SEAT PULLER HEAD	OM-1700-7	OM-1700-7FO	OM-1700-7GR	OM-1700-7R

**PISTON COMPLETED**

PISTON SIZE	IMPERIAL PISTON	IMPERIAL RUBBER KITS	LONG LIFE URETHANE
4"	OM-I40HK14/15	OM-I40HK	OM-LL-400
4 1/2"	OM-I44HK14/15	OM-I44HK	OM-LL-440
5"	OM-I50HB14/15	OM-I50HB	OM-LL-500
5 1/2"	OM-I54HB14/15	OM-I54HB	OM-LL-540
6"	OM-I60HB14/15	OM-I60HB	OM-LL-600
6 1/2"	OM-I64HL14/15	OM-I64HL	OM-LL-640
7"	OM-I70HL14/15	OM-I70HL	OM-LL-700

**ROD FOR MUD PUMP**

	PISTON ROD	SUB ROD	EXTENSION ROD	ROD CLAMP	PISTON ROD NUT
CLAMP TYPE	OM-0191	N/A	OM-16-0192	OM-24-0191	OM-7403364
THREAD TYPE	OM-0202	N/A	OM-16-0196	N/A	OM-7403364



**LINER AND GASKET**

SIZE	BIMETAL LINER PN	CERAMIC LINER	LINER GASKET
4"	OM-0197-40	OM-PZ10CL-40	OMG-0692
4-1/2"	OM-0197-44	OM-PZ10CL-44	OMG-0692
5"	OM-0197-50	OM-PZ10CL-50	OMG-0692
5-1/2"	OM-0197-54	OM-PZ10CL-54	OMG-0692
6"	OM-0197-60	OM-PZ10CL-60	OMG-0692
6-1/2"	OM-0197-64	OM-PZ10CL-64	OMG-0692
6-3/4"	OM-0197-66	OM-PZ10CL-66	OMG-0692
7"	OM-0197-70	OM-PZ10CL-70	OMG-0692

GASKETS	
VALVE COVER GASKET	CYLINDER HEAD GASKET
OMG-0780	OMG-0780

**VALVE AND SEAT SERIES**

SERIES	4-WEB	FULL OPEN	G2	3-WEB
VALVE (Urethane Insert)	OM-U5C-EEF	OM-7FO-V1	OM-1560985	OM-202PZL482A
VALVE (Rubber Insert)	OM-5C-EEF	N/A	N/A	OM-202PZL483A
VALVE SEAT	OM-7DD-B1	OM-7FO-S1	OM-1561370	OM-202PZL039
VALVE SPRING	OM-5710-110	OM-5710-115L	OM-1560702	OM-5710-110
VALVE INSERT (Urethane)	OM-UDD-7B	OM-7FO-SI	OM-1560557	OM-201PZL106
VALVE INSERT (Rubber)	OM-DD-7B	N/A	N/A	OM-202PZL106
VALVE SEAT PULLER HEAD	OM-1700-7	OM-1700-7FO	OM-1700-7GR	OM-1700-7R

**PISTON COMPLETED**

PISTON SIZE	IMPERIAL PISTON	IMPERIAL RUBBER KITS	LONG LIFE URETHANE
4"	OM-I40HK14/15	OM-I40HK	OM-LL-400
4 1/2"	OM-I44HK14/15	OM-I44HK	OM-LL-440
5"	OM-I50HB14/15	OM-I50HB	OM-LL-500
5 1/2"	OM-I54HB14/15	OM-I54HB	OM-LL-540
6"	OM-I60HB14/15	OM-I60HB	OM-LL-600
6 1/2"	OM-I64HL14/15	OM-I64HL	OM-LL-640
7"	OM-I70HL14/15	OM-I70HL	OM-LL-700

**ROD FOR MUD PUMP**

	PISTON ROD	SUB ROD	EXTENSION ROD	ROD CLAMP	PISTON ROD NUT
CLAMP TYPE	OM-0200	N/A	OM-16-0200	OM-24-0200	OM-7403364
THREAD TYPE	OM-0201	N/A	OM-16-0201	N/A	OM-7403364



**LINER AND GASKET**

SIZE	BIMETAL LINER PN	CERAMIC LINER	LINER GASKET
4"	OM-0197-40	OM-PZ10CL-40	OMG-0692
4-1/2"	OM-0197-44	OM-PZ10CL-44	OMG-0692
5"	OM-0197-50	OM-PZ10CL-50	OMG-0692
5-1/2"	OM-0197-54	OM-PZ10CL-54	OMG-0692
6"	OM-0197-60	OM-PZ10CL-60	OMG-0692
6-1/2"	OM-0197-64	OM-PZ10CL-64	OMG-0692
6-3/4"	OM-0197-66	OM-PZ10CL-66	OMG-0692
7"	OM-0197-70	OM-PZ10CL-70	OMG-0692

GASKETS	
VALVE COVER GASKET	CYLINDER HEAD GASKET
OMG-0780	OMG-0780

**VALVE AND SEAT SERIES**

SERIES	4-WEB	FULL OPEN	G2	3-WEB
VALVE (Urethane Insert)	OM-U5C-EEF	OM-7FO-V1	OM-1560985	OM-202PZL482A
VALVE (Rubber Insert)	OM-5C-EEF	N/A	N/A	OM-202PZL483A
VALVE SEAT	OM-7DD-B1	OM-7FO-S1	OM-1561370	OM-202PZL039
VALVE SPRING	OM-5710-110	OM-5710-115L	OM-1560702	OM-5710-110
VALVE INSERT (Urethane)	OM-UDD-7B	OM-7FO-SI	OM-1560557	OM-201PZL106
VALVE INSERT (Rubber)	OM-DD-7B	N/A	N/A	OM-202PZL106
VALVE SEAT PULLER HEAD	OM-1700-7	OM-1700-7FO	OM-1700-7GR	OM-1700-7R

**PISTON COMPLETED**

PISTON SIZE	IMPERIAL PISTON	IMPERIAL RUBBER KITS	LONG LIFE URETHANE
4"	OM-I40HK14/15	OM-I40HK	OM-LL-400
4 1/2"	OM-I44HK14/15	OM-I44HK	OM-LL-440
5"	OM-I50HB14/15	OM-I50HB	OM-LL-500
5 1/2"	OM-I54HB14/15	OM-I54HB	OM-LL-540
6"	OM-I60HB14/15	OM-I60HB	OM-LL-600
6 1/2"	OM-I64HL14/15	OM-I64HL	OM-LL-640
7"	OM-I70HL14/15	OM-I70HL	OM-LL-700

**ROD FOR MUD PUMP**

	PISTON ROD	SUB ROD	EXTENSION ROD	ROD CLAMP	PISTON ROD NUT
CLAMP TYPE	OM-0200	N/A	OM-16-0200	OM-24-0200	OM-7403364
THREAD TYPE	OM-0201	N/A	OM-16-0201	N/A	OM-7403364



**LINER AND GASKET**

SIZE	BIMETAL LINER P/N	CERAMIC LINER	LINER GASKET
4-1/2"	OM-0234-44HP	N/A	OMG-0783
5"	OM-0234-50HP	N/A	OMG-0783
5-1/2"	OM-0234-54HP	N/A	OMG-0783
6"	OM-0234-60HP	N/A	OMG-0783
6-1/2"	OM-0234-64HP	N/A	OMG-0783
7"	OM-0234-70HP	N/A	OMG-0783

GASKETS	
VALVE COVER GASKET	CYLINDER HEAD GASKET
OMG-0783	OMG-0783

**VALVE AND SEAT SERIES**

SERIES	4-WEB	FULL OPEN	G2	NF
VALVE (Urethane Insert)	OM-U5B-EH	OM-6FO-V1	OM-1560995	OM-RN6-V1
VALVE (Rubber Insert)	OM-5B-EH	N/A	N/A	N/A
VALVE SEAT	OM-6ADD-B6	OM-6FO-S1	OM-1561380	OM-RN6-S6
VALVE SPRING	OM-5710-115	OM-5710-115	OM-1560701	OM-5710-115
VALVE INSERT (Urethane)	OM-UDD-6AB	OM-6FO-SI	OM-1560587	OM-RN6-I
VALVE INSERT (Rubber)	OM-DD-6AB	N/A	N/A	N/A
VALVE SEAT PULLER HEAD	OM-1700-6	OM-1700-6FO	OM-1700-6G2	OM-1700-6FO

**PISTON COMPLETED**

PISTON SIZE	IMPERIAL PISTON	IMPERIAL RUBBER KITS	LONG LIFE URETHANE
4"	OM-I40HK14/15	OM-I40HK	OM-LL-400
4 1/2"	OM-I44HK14/15	OM-I44HK	OM-LL-440
5"	OM-I50HB14/15	OM-I50HB	OM-LL-500
5 1/2"	OM-I54HB14/15	OM-I54HB	OM-LL-540
6"	OM-I60HB14/15	OM-I60HB	OM-LL-600
6 1/2"	OM-I64HL14/15	OM-I64HL	OM-LL-640
7"	OM-I70HL14/15	OM-I70HL	OM-LL-700

**ROD FOR MUD PUMP**

	PISTON ROD	SUB ROD	EXTENSION ROD	ROD CLAMP	PISTON ROD NUT
PART NUMBER	OM-0237	N/A	OM-16-0237	OM-24-0237	OM-7403364





**Mud Pump Expendables**

**IDECO**

**T-800 7 X 9**

**LINER AND GASKET**

SIZE	BIMETAL LINER P/N	CERAMIC LINER	LINER GASKET
4-1/2"	OM-0230-44HP	N/A	OMG-0783
5"	OM-0230-50HP	N/A	OMG-0783
5-1/2"	OM-0230-54HP	N/A	OMG-0783
6"	OM-0230-60HP	N/A	OMG-0783
6-1/2"	OM-0230-64HP	N/A	OMG-0783
6-3/4"	OM-0230-66HP	N/A	OMG-0783
7"	OM-0230-70HP	N/A	OMG-0783

GASKETS	
VALVE COVER GASKET OMG-0783	CYLINDER HEAD GASKET OMG-0783

**VALVE AND SEAT SERIES**

SERIES	4-WEB	FULL OPEN	G2	NF
VALVE (Urethane Insert)	OM-U5B-EH	OM-6FO-V1	OM-1560995	OM-RN6-V1
VALVE (Rubber Insert)	OM-5B-EH	N/A	N/A	N/A
VALVE SEAT	OM-6ADD-B6	OM-6FO-S1	OM-1561380	OM-RN6-S6
VALVE SPRING	OM-5710-115	OM-5710-115	OM-1560701	OM-5710-115
VALVE INSERT (Urethane)	OM-UDD-6AB	OM-6FO-SI	OM-1560587	OM-RN6-I
VALVE INSERT (Rubber)	OM-DD-6AB	N/A	N/A	N/A
VALVE SEAT PULLER HEAD	OM-1700-6	OM-1700-6FO	OM-1700-6G2	OM-1700-6FO

**PISTON COMPLETED**

PISTON SIZE	IMPERIAL PISTON	IMPERIAL RUBBER KITS	LONG LIFE URETHANE
4"	OM-I40HK14/15	OM-I40HK	OM-LL-400
4 1/2"	OM-I44HK14/15	OM-I44HK	OM-LL-440
5"	OM-I50HB14/15	OM-I50HB	OM-LL-500
5 1/2"	OM-I54HB14/15	OM-I54HB	OM-LL-540
6"	OM-I60HB14/15	OM-I60HB	OM-LL-600
6 1/2"	OM-I64HL14/15	OM-I64HL	OM-LL-640
7"	OM-I70HL14/15	OM-I70HL	OM-LL-700

**ROD FOR MUD PUMP**

	PISTON ROD	SUB ROD	EXTENSION ROD	ROD CLAMP	PISTON ROD NUT
PART NUMBER	OM-0230	N/A	OM-16-0230	OM-24-0230	OM-7403364



**LINER AND GASKET**

SIZE	BIMETAL LINER P/N	CERAMIC LINER	LINER GASKET
4-1/2"	OM-0230-44HP	N/A	OMG-0783
5"	OM-0230-50HP	N/A	OMG-0783
5-1/2"	OM-0230-54HP	N/A	OMG-0783
6"	OM-0230-60HP	N/A	OMG-0783
6-1/2"	OM-0230-64HP	N/A	OMG-0783
6-3/4"	OM-0230-66HP	N/A	OMG-0783
7"	OM-0230-70HP	N/A	OMG-0783

GASKETS	
VALVE COVER GASKET	CYLINDER HEAD GASKET
OMG-0783	OMG-0783

**VALVE AND SEAT SERIES**

SERIES	4-WEB	FULL OPEN	G2	NF
VALVE (Urethane Insert)	OM-U5B-EH	OM-6FO-V1	OM-1560995	OM-RN6-V1
VALVE (Rubber Insert)	OM-5B-EH	N/A	N/A	N/A
VALVE SEAT	OM-6ADD-B6	OM-6FO-S1	OM-1561380	OM-RN6-S6
VALVE SPRING	OM-5710-115	OM-5710-115	OM-1560701	OM-5710-115
VALVE INSERT (Urethane)	OM-UDD-6AB	OM-6FO-SI	OM-1560587	OM-RN6-I
VALVE INSERT (Rubber)	OM-DD-6AB	N/A	N/A	N/A
VALVE SEAT PULLER HEAD	OM-1700-6	OM-1700-6FO	OM-1700-6G2	OM-1700-6FO

**PISTON COMPLETED**

PISTON SIZE	IMPERIAL PISTON	IMPERIAL RUBBER KITS	LONG LIFE URETHANE
4"	OM-I40HK14/15	OM-I40HK	OM-LL-400
4 1/2"	OM-I44HK14/15	OM-I44HK	OM-LL-440
5"	OM-I50HB14/15	OM-I50HB	OM-LL-500
5 1/2"	OM-I54HB14/15	OM-I54HB	OM-LL-540
6"	OM-I60HB14/15	OM-I60HB	OM-LL-600
6 1/2"	OM-I64HL14/15	OM-I64HL	OM-LL-640
7"	OM-I70HL14/15	OM-I70HL	OM-LL-700

**ROD FOR MUD PUMP**

	PISTON ROD	SUB ROD	EXTENSION ROD	ROD CLAMP	PISTON ROD NUT
PART NUMBER	OM-0230	N/A	OM-16-0230	OM-24-0230	OM-7403364







**Mud Pump Expendables**

**IDECO**

**T-1300 7 1/2 X 12**

**LINER AND GASKET**

SIZE	BIMETAL LINER P/N	CERAMIC LINER	LINER GASKET
4-1/2"	OM-0233-44HP	N/A	OMG-0782
5"	OM-0233-50HP	N/A	OMG-0782
5-1/2"	OM-0233-54HP	N/A	OMG-0782
6"	OM-0233-60HP	N/A	OMG-0782
6-1/2"	OM-0233-64HP	N/A	OMG-0782
7"	OM-0233-70HP	N/A	OMG-0782
7-1/2"	OM-0233-74HP	N/A	OMG-0782

GASKETS	
VALVE COVER GASKET	CYLINDER HEAD GASKET
OMG-0782	OMG-0782

**VALVE AND SEAT SERIES**

SERIES	4-WEB	FULL OPEN	G2	3-WEB
VALVE (Urethane Insert)	OM-U5C-EEF	OM-7FO-V1	OM-1560985	OM-202PZL482A
VALVE (Rubber Insert)	OM-5C-EEF	N/A	N/A	OM-202PZL483A
VALVE SEAT	OM-7DD-B1	OM-7FO-S1	OM-1561370	OM-202PZL039
VALVE SPRING	OM-5710-110	OM-5710-115L	OM-1560702	OM-5710-110
VALVE INSERT (Urethane)	OM-UDD-7B	OM-7FO-SI	OM-1560557	OM-201PZL106
VALVE INSERT (Rubber)	OM-DD-7B	N/A	N/A	OM-202PZL106
VALVE SEAT PULLER HEAD	OM-1700-7	OM-1700-7FO	OM-1700-7GR	OM-1700-7R

**PISTON COMPLETED**

PISTON SIZE	IMPERIAL PISTON	IMPERIAL RUBBER KITS	LONG LIFE URETHANE
5"	OM-I50HB14/15	OM-I50HB	OM-LL-500
5 1/2"	OM-I54HB14/15	OM-I54HB	OM-LL-540
6"	OM-I60HB14/15	OM-I60HB	OM-LL-600
6 1/2"	OM-I64HL14/15	OM-I64HL	OM-LL-640
7"	OM-I70HL14/15	OM-I70HL	OM-LL-700

**ROD FOR MUD PUMP**

	PISTON ROD	SUB ROD	EXTENSION ROD	ROD CLAMP	PISTON ROD NUT
PART NUMBER	OM-0233	N/A	OM-16-0233	OM-24-0233	OM-7403364



**Mud Pump Expendables**

**IDECO**

**T-1600 7 1/2 X 12**

**LINER AND GASKET**

SIZE	BIMETAL LINER P/N	CERAMIC LINER	LINER GASKET
4-1/2"	OM-0233-44HP	N/A	OMG-0782
5"	OM-0233-50HP	N/A	OMG-0782
5-1/2"	OM-0233-54HP	N/A	OMG-0782
6"	OM-0233-60HP	N/A	OMG-0782
6-1/2"	OM-0233-64HP	N/A	OMG-0782
7"	OM-0233-70HP	N/A	OMG-0782
7-1/2"	OM-0233-74HP	N/A	OMG-0782

GASKETS	
VALVE COVER GASKET	CYLINDER HEAD GASKET
OMG-0782	OMG-0782

**VALVE AND SEAT SERIES**

SERIES	4-WEB	FULL OPEN	G2	3-WEB
VALVE (Urethane Insert)	OM-U5C-EEF	OM-7FO-V1	OM-1560985	OM-202PZL482A
VALVE (Rubber Insert)	OM-5C-EEF	N/A	N/A	OM-202PZL483A
VALVE SEAT	OM-7DD-B1	OM-7FO-S1	OM-1561370	OM-202PZL039
VALVE SPRING	OM-5710-110	OM-5710-115L	OM-1560702	OM-5710-110
VALVE INSERT (Urethane)	OM-UDD-7B	OM-7FO-SI	OM-1560557	OM-201PZL106
VALVE INSERT (Rubber)	OM-DD-7B	N/A	N/A	OM-202PZL106
VALVE SEAT PULLER HEAD	OM-1700-7	OM-1700-7FO	OM-1700-7GR	OM-1700-7R

**PISTON COMPLETED**

PISTON SIZE	IMPERIAL PISTON	IMPERIAL RUBBER KITS	LONG LIFE URETHANE
5"	OM-I50HB14/15	OM-I50HB	OM-LL-500
5 1/2"	OM-I54HB14/15	OM-I54HB	OM-LL-540
6"	OM-I60HB14/15	OM-I60HB	OM-LL-600
6 1/2"	OM-I64HL14/15	OM-I64HL	OM-LL-640
7"	OM-I70HL14/15	OM-I70HL	OM-LL-700

**ROD FOR MUD PUMP**

	PISTON ROD	SUB ROD	EXTENSION ROD	ROD CLAMP	PISTON ROD NUT
PART NUMBER	OM-0233	N/A	OM-16-0233	OM-24-0233	OM-7403364



**Mud Pump Expendables**

**NATIONAL**

**7-P-50 6 1/4 X 7**

**LINER AND GASKET**

SIZE	BIMETAL LINER P/N	CERAMIC LINER	LINER GASKET
4"	OM-0257-40HP	N/A	N/A
4-1/2"	OM-0257-44HP	N/A	N/A
5"	OM-0257-50HP	OM-7PCL-50	N/A
5-1/2"	OM-0257-54HP	OM-7PCL-54	N/A
6"	OM-0257-60HP	OM-7PCL-60	N/A
6-1/4"	OM-0257-62HP	OM-7PCL-62	N/A

GASKETS	
VALVE COVER GASKET	CYLINDER HEAD GASKET
OMG-61-0253	N/A

**VALVE AND SEAT SERIES**

SERIES	4-WEB	FULL OPEN
VALVE (Urethane Insert)	OM-U5B-05	OM-5FO-V1
VALVE (Rubber Insert)	OM-5B-05	N/A
VALVE SEAT	OM-5DD-B3	OM-5FO-S3
VALVE SPRING	OM-5710-111	OM-5710-30
VALVE INSERT (Urethane)	OM-UDD-5B	OM-5FO-SI
VALVE INSERT (Rubber)	OM-DD-5B	N/A
VALVE SEAT PULLER HEAD	OM-1700-5	OM-1700-5FO

**PISTON COMPLETED**

PISTON SIZE	IMPERIAL PISTON	IMPERIAL RUBBER KITS	LONG LIFE URETHANE
4"	OM-I40HK14/15	OM-I40HK	OM-LL-400
4 1/2"	OM-I44HK14/15	OM-I44HK	OM-LL-440
5"	OM-I50HB14/15	OM-I50HB	OM-LL-500
5 1/2"	OM-I54HB14/15	OM-I54HB	OM-LL-540
6"	OM-I60HB14/15	OM-I60HB	OM-LL-600

**ROD FOR MUD PUMP**

	PISTON ROD	SUB ROD	EXTENSION ROD	ROD CLAMP	PISTON ROD NUT
<b>PART NUMBER</b>	OM-0257-A	OM-0257-B	OM-16-0257	OM-24-0257	OM-7403364



**Mud Pump Expendables**

**NATIONAL**

**8-P-80 6 1/2 X 8 1/2**

**LINER AND GASKET**

SIZE	BIMETAL LINER P/N	CERAMIC LINER	LINER GASKET
4"	OM-0256-40HP	N/A	N/A
4-1/2"	OM-0256-44HP	N/A	N/A
5"	OM-0256-50HP	OM-8PCL-50	N/A
5-1/2"	OM-0256-54HP	OM-8PCL-54	N/A
6"	OM-0256-60HP	OM-8PCL-60	N/A
6-1/4"	OM-0256-62HP	OM-8PCL-62	N/A
6-1/2"	OM-0256-64HP	OM-8PCL-64	N/A

GASKETS	
VALVE COVER GASKET	CYLINDER HEAD GASKET
OMG-61-0255	N/A

**VALVE AND SEAT SERIES**

SERIES	4-WEB	FULL OPEN	G2	NF
VALVE (Urethane Insert)	OM-U5B-EH	OM-6FO-V1	OM-1560995	OM-RN6-V1
VALVE (Rubber Insert)	OM-5B-EH	N/A	N/A	N/A
VALVE SEAT	OM-6ADD-B4	OM-6FO-S4	OM-1561450	OM-RN6-S4
VALVE SPRING	OM-5710-115	OM-5710-115	OM-1560701	OM-5710-115
VALVE INSERT (Urethane)	OM-UDD-6B	OM-6FO-SI	OM-1560587	OM-RN6-I
VALVE INSERT (Rubber)	OM-DD-6B	N/A	N/A	N/A
VALVE SEAT PULLER HEAD	OM-1700-6	OM-1700-6FO	OM-1700-6G2	OM-1700-6FO

**PISTON COMPLETED**

PISTON SIZE	IMPERIAL PISTON	IMPERIAL RUBBER KITS	LONG LIFE URETHANE
4"	OM-I40HK14/15	OM-I40HK	OM-LL-400
4 1/2"	OM-I44HK14/15	OM-I44HK	OM-LL-440
5"	OM-I50HB14/15	OM-I50HB	OM-LL-500
5 1/2"	OM-I54HB14/15	OM-I54HB	OM-LL-540
6"	OM-I60HB14/15	OM-I60HB	OM-LL-600
6 1/2"	OM-I64HB14/15	OM-I64HB	OM-LL-640

**ROD FOR MUD PUMP**

	PISTON ROD	SUB ROD	EXTENSION ROD	ROD CLAMP	PISTON ROD NUT
<b>PART NUMBER</b>	OM-0259-A	OM-0259-B	OM-16-0259	OM-24-0259	OM-7403364



**Mud Pump Expendables**

**NATIONAL**

**9-P-100 6 3/4 X 9**

**LINER AND GASKET**

SIZE	BIMETAL LINER P/N	CERAMIC LINER	LINER GASKET
4"	OM-0255-40HP	N/A	N/A
4-1/2"	OM-0255-44HP	N/A	OMG-0274
5"	OM-0255-50HP	OM-9PCL-50	OMG-0265
5-1/2"	OM-0255-54HP	OM-9PCL-54	OMG-0263
5-3/4"	OM-0255-56HP	OM-9PCL-56	N/A
6"	OM-0255-60HP	OM-9PCL-60	OMG-0261
6-1/4"	OM-0255-62HP	OM-9PCL-62	OMG-0283
6-1/2"	OM-0255-64HP	OM-9PCL-64	OMG-0768
6-3/4"	OM-0255-66HP	OM-9PCL-66	OMG-0287

GASKETS	
VALVE COVER GASKET	CYLINDER HEAD GASKET
OMG-61-0255	N/A

**VALVE AND SEAT SERIES**

SERIES	4-WEB	FULL OPEN	G2	NF
VALVE (Urethane Insert)	OM-U5B-EH	OM-6FO-V1	OM-1560995	OM-RN6-V1
VALVE (Rubber Insert)	OM-5B-EH	N/A	N/A	N/A
VALVE SEAT	OM-6ADD-B4	OM-6FO-S4	OM-1561450	OM-RN6-S4
VALVE SPRING	OM-5710-115	OM-5710-115	OM-1560701	OM-5710-115
VALVE INSERT (Urethane)	OM-UDD-6B	OM-6FO-SI	OM-1560587	OM-RN6-I
VALVE INSERT (Rubber)	OM-DD-6B	N/A	N/A	N/A
VALVE SEAT PULLER HEAD	OM-1700-6	OM-1700-6FO	OM-1700-6G2	OM-1700-6FO

**PISTON COMPLETED**

PISTON SIZE	IMPERIAL PISTON	IMPERIAL RUBBER KITS	LONG LIFE URETHANE
4"	OM-I40HK14/15	OM-I40HK	OM-LL-400
4 1/2"	OM-I44HK14/15	OM-I44HK	OM-LL-440
5"	OM-I50HB14/15	OM-I50HB	OM-LL-500
5 1/2"	OM-I54HB14/15	OM-I54HB	OM-LL-540
6"	OM-I60HB14/15	OM-I60HB	OM-LL-600
6 1/2"	OM-I64HL14/15	OM-I64HL	OM-LL-640

**ROD FOR MUD PUMP**

	PISTON ROD	SUB ROD	EXTENSION ROD	ROD CLAMP	PISTON ROD NUT
PART NUMBER	OM-0260-A	OM-0260-B	OM-16-0260	OM-24-0260	OM-7403364





**Mud Pump Expendables**

**NATIONAL**

**10-P-130 6 3/4 X 10**

**LINER AND GASKET**

SIZE	BIMETAL LINER P/N	CERAMIC LINER	LINER GASKET
4"	OM-0255-40HP	N/A	N/A
4-1/2"	OM-0255-44HP	N/A	OMG-0274
5"	OM-0255-50HP	OM-10PCL-50	OMG-0265
5-1/2"	OM-0255-54HP	OM-10PCL-54	OMG-0263
5-3/4"	OM-0255-56HP	OM-10PCL-56	N/A
6"	OM-0255-60HP	OM-10PCL-60	OMG-0261
6-1/4"	OM-0255-62HP	OM-10PCL-62	OMG-0283
6-1/2"	OM-0255-64HP	OM-10PCL-64	OMG-0768
6-3/4"	OM-0255-66HP	OM-10PCL-66	OMG-0287

**GASKETS**

GASKETS	
VALVE COVER GASKET	CYLINDER HEAD GASKET
OMG-61-0255	N/A

**VALVE AND SEAT SERIES**

SERIES	4-WEB	FULL OPEN	G2	NF
VALVE (Urethane Insert)	OM-U5B-EH	OM-6FO-V1	OM-1560995	OM-RN6-V1
VALVE (Rubber Insert)	OM-5B-EH	N/A	N/A	N/A
VALVE SEAT	OM-6ADD-B4	OM-6FO-S4	OM-1561450	OM-RN6-S4
VALVE SPRING	OM-5710-115	OM-5710-115	OM-1560701	OM-5710-115
VALVE INSERT (Urethane)	OM-UDD-6B	OM-6FO-SI	OM-1560587	OM-RN6-I
VALVE INSERT (Rubber)	OM-DD-6B	N/A	N/A	N/A
VALVE SEAT PULLER HEAD	OM-1700-6	OM-1700-6FO	OM-1700-6G2	OM-1700-6FO

**PISTON COMPLETED**

PISTON SIZE	IMPERIAL PISTON	IMPERIAL RUBBER KITS	LONG LIFE URETHANE
4"	OM-I40HK14/15	OM-I40HK	OM-LL-400
4 1/2"	OM-I44HK14/15	OM-I44HK	OM-LL-440
5"	OM-I50HB14/15	OM-I50HB	OM-LL-500
5 1/2"	OM-I54HB14/15	OM-I54HB	OM-LL-540
6"	OM-I60HB14/15	OM-I60HB	OM-LL-600
6 1/2"	OM-I64HL14/15	OM-I64HL	OM-LL-640
6 3/4"	OM-I40HK14/15	OM-I40HK	OM-LL-660

**ROD FOR MUD PUMP**

	PISTON ROD	SUB ROD	EXTENSION ROD	ROD CLAMP	PISTON ROD NUT
<b>PART NUMBER</b>	OM-0256-A	OM-0256-B	OM-16-0256	OM-24-0256	OM-7403364



**Mud Pump Expendables**

**NATIONAL**

**12-P-160 6 3/4 X 10**

**LINER AND GASKET**

SIZE	BIMETAL LINER P/N	CERAMIC LINER	LINER GASKET
4"	OM-0259-40HP	N/A	OMG-0265
4-1/2"	OM-0259-44HP	N/A	OMG-0265
5"	OM-0259-50HP	OM-12PCL-50	OMG-0265
5-1/2"	OM-0259-54HP	OM-12PCL-54	OMG-0263
5-3/4"	OM-0259-56HP	OM-12PCL-56	N/A
6"	OM-0259-60HP	OM-12PCL-60	OMG-0261
6-1/2"	OM-0259-64HP	OM-12PCL-64	OMG-0284
6-3/4"	OM-0259-66HP	OM-12PCL-66	OMG-0287
7"	OM-0259-70HP	OM-12PCL-70	OMG-0285
7-1/4"	OM-0259-72HP	N/A	OMG-0286
7-1/2"	OM-0259-74HP	N/A	

GASKETS	
VALVE COVER GASKET	CYLINDER HEAD GASKET
OMG-0711	N/A

**VALVE AND SEAT SERIES**

SERIES	4-WEB	FULL OPEN	G2
VALVE (Urethane Insert)	OM-U5C-EEF	OM-7FO-V1	OM-1560985
VALVE (Rubber Insert)	OM-5C-EEF	N/A	N/A
VALVE SEAT	OM-7DD-B12	OM-7FO-S4	OM-1561440
VALVE SPRING	OM-5710-110	OM-5710-115L	OM-1560702
VALVE INSERT (Urethane)	OM-UDD-7B	OM-7FO-SI	OM-1560557
VALVE INSERT (Rubber)	OM-DD-7B	N/A	N/A
VALVE SEAT PULLER HEAD	OM-1700-7	OM-1700-7FO	OM-1700-7GR

**PISTON COMPLETED**

PISTON SIZE	IMPERIAL PISTON	IMPERIAL RUBBER KITS	LONG LIFE URETHANE
4"	OM-I40HK14/15	OM-I40HK	OM-LL-400
4 1/2"	OM-I44HK14/15	OM-I44HK	OM-LL-440
5"	OM-I50HB14/15	OM-I50HB	OM-LL-500
5 1/2"	OM-I54HB14/15	OM-I54HB	OM-LL-540
6"	OM-I60HB14/15	OM-I60HB	OM-LL-600
6 1/2"	OM-I64HL14/15	OM-I64HL	OM-LL-640
7"	OM-I70HL14/15	OM-I70HL	OM-LL-700
7 1/2"	OM-I74HL14/15	OM-I70HL	OM-LL-740

**ROD FOR MUD PUMP**

	PISTON ROD	SUB ROD	EXTENSION ROD	ROD CLAMP	PISTON ROD NUT
<b>PART NUMBER</b>	OM-0258-A	OM-0258-B	OM-16-0258	OM-24-0258	OM-7403364



**LINER AND GASKET**

SIZE	BIMETAL LINER P/N	CERAMIC LINER	LINER GASKET
4"	OM-0287-40HP	N/A	N/A
4-1/2"	OM-0287-44HP	N/A	N/A
5"	OM-0287-50HP	N/A	N/A
5-1/2"	OM-0287-54HP	N/A	N/A
6"	OM-0287-60HP	N/A	N/A
6-1/2"	OM-0287-64HP	N/A	N/A
6-3/4"	OM-0287-66HP	N/A	N/A
7"	OM-0287-70HP	N/A	N/A

GASKETS	
VALVE COVER GASKET	CYLINDER HEAD GASKET
OMG-0732	N/A

**VALVE AND SEAT SERIES**

SERIES	4-WEB	FULL OPEN	G2	NF
VALVE (Urethane Insert)	OM-U5B-EH	OM-6FO-V1	OM-1560995	OM-RN6-V1
VALVE (Rubber Insert)	OM-5B-EH	N/A	N/A	N/A
VALVE SEAT	OM-6ADD-B6	OM-6FO-S1	OM-1561380	OM-RN6-S6
VALVE SPRING	OM-5710-115	OM-5710-115	OM-1560701	OM-5710-115
VALVE INSERT (Urethane)	OM-UDD-6AB	OM-6FO-SI	OM-1560587	OM-RN6-I
VALVE INSERT (Rubber)	OM-DD-6AB	N/A	N/A	N/A
VALVE SEAT PULLER HEAD	OM-1700-6	OM-1700-6FO	OM-1700-6G2	OM-1700-6FO

**PISTON COMPLETED**

PISTON SIZE	IMPERIAL PISTON	IMPERIAL RUBBER KITS	LONG LIFE URETHANE
4"	OM-I40HK14/15	OM-I40HK	OM-LL-400
4 1/2"	OM-I44HK14/15	OM-I44HK	OM-LL-440
5"	OM-I50HB14/15	OM-I50HB	OM-LL-500
5 1/2"	OM-I54HB14/15	OM-I54HB	OM-LL-540
6"	OM-I60HB14/15	OM-I60HB	OM-LL-600
6 1/2"	OM-I64HL14/15	OM-I64HL	OM-LL-640
7"	OM-I70HL14/15	OM-I70HL	OM-LL-700

**ROD FOR MUD PUMP**

	PISTON ROD	SUB ROD	CONNECTING ROD	EXTENSION ROD	ROD CLAMP	PISTON ROD NUT
<b>PART NUMBER</b>	OM-0283-C	OM-0283-B	OM-0283-D	OM-16-0282	OM-24-0284	OM-7403364





**LINER AND GASKET**

SIZE	BIMETAL LINER P/N	CERAMIC LINER	LINER GASKET
4"	OM-0287-40HP	N/A	N/A
4-1/2"	OM-0287-44HP	N/A	N/A
5"	OM-0287-50HP	N/A	N/A
5-1/2"	OM-0287-54HP	N/A	N/A
6"	OM-0287-60HP	N/A	N/A
6-1/2"	OM-0287-64HP	N/A	N/A
6-3/4"	OM-0287-66HP	N/A	N/A
7"	OM-0287-70HP	N/A	N/A

GASKETS	
VALVE COVER GASKET	CYLINDER HEAD GASKET
OMG-0732	N/A

**VALVE AND SEAT SERIES**

SERIES	4-WEB	FULL OPEN	G2	NF
VALVE (Urethane Insert)	MK-U5B-EH	MK-6FO-V1	MK-1560995	MK-RN6-V1
VALVE (Rubber Insert)	MK-5B-EH	N/A	N/A	N/A
VALVE SEAT	MK-6ADD-B6	MK-6FO-S1	MK-1561380	MK-RN6-S6
VALVE SPRING	MK-5710-115	MK-5710-115	MK-1560701	MK-5710-115
VALVE INSERT (Urethane)	MK-UDD-6AB	MK-6FO-SI	MK-1560587	MK-RN6-I
VALVE INSERT (Rubber)	MK-DD-6AB	N/A	N/A	N/A
VALVE SEAT PULLER HEAD	MK-1700-6	MK-1700-6FO	MK-1700-6G2	MK-1700-6FO

**PISTON COMPLETED**

PISTON SIZE	IMPERIAL PISTON	IMPERIAL RUBBER KITS	LONG LIFE URETHANE
4"	MK-I40HK14/15	MK-I40HK	OM-LL-400
4 1/2"	MK-I44HK14/15	MK-I44HK	OM-LL-440
5"	MK-I50HB14/15	MK-I50HB	OM-LL-500
5 1/2"	MK-I54HB14/15	MK-I54HB	OM-LL-540
6"	MK-I60HB14/15	MK-I60HB	OM-LL-600
6 1/2"	MK-I64HL14/15	MK-I64HL	OM-LL-640
7"	MK-I70HL14/15	MK-I70HL	OM-LL-700

**ROD FOR MUD PUMP**

	PISTON ROD	SUB ROD	CONNECTING ROD	EXTENSION ROD	ROD CLAMP	PISTON ROD NUT
<b>PART NUMBER</b>	OM-0283-C	OM-0283-A	OM-0283-D	OM-16-0283	OM-24-0283	OM-7403364



**Mud Pump Expendables**

**OILWELL  
A-600-PT 7 X 8**

**LINER AND GASKET**

SIZE	BIMETAL LINER	CERAMIC LINER	LINER GASKET
4"	OM-0287-40HP	N/A	N/A
4-1/2"	OM-0287-44HP	N/A	N/A
5"	OM-0287-50HP	N/A	N/A
5-1/2"	OM-0287-54HP	N/A	N/A
6"	OM-0287-60HP	N/A	N/A
6-1/2"	OM-0287-64HP	N/A	N/A
6-3/4"	OM-0287-66HP	N/A	N/A
7"	OM-0287-70HP	N/A	N/A

GASKETS	
VALVE COVER GASKET	CYLINDER HEAD GASKET
OMG-0732	N/A

**VALVE AND SEAT SERIES**

SERIES	4-WEB	FULL OPEN	G2	NF
VALVE (Urethane Insert)	OM-U5B-EH	OM-6FO-V1	OM-1560995	OM-RN6-V1
VALVE (Rubber Insert)	OM-5B-EH	N/A	N/A	N/A
VALVE SEAT	OM-6ADD-B6	OM-6FO-S1	OM-1561380	OM-RN6-S6
VALVE SPRING	OM-5710-115	OM-5710-115	OM-1560701	OM-5710-115
VALVE INSERT (Urethane)	OM-UDD-6AB	OM-6FO-SI	OM-1560587	OM-RN6-I
VALVE INSERT (Rubber)	OM-DD-6AB	N/A	N/A	N/A
VALVE SEAT PULLER HEAD	OM-1700-6	OM-1700-6FO	OM-1700-6G2	OM-1700-6FO

**PISTON COMPLETED**

PISTON SIZE	IMPERIAL PISTON	IMPERIAL RUBBER KITS	LONG LIFE URETHANE
4"	OM-I40HK14/15	OM-I40HK	OM-LL-400
4 1/2"	OM-I44HK14/15	OM-I44HK	OM-LL-440
5"	OM-I50HB14/15	OM-I50HB	OM-LL-500
5 1/2"	OM-I54HB14/15	OM-I54HB	OM-LL-540
6"	OM-I60HB14/15	OM-I60HB	OM-LL-600
6 1/2"	OM-I64HL14/15	OM-I64HL	OM-LL-640
7"	OM-I70HL14/15	OM-I70HL	OM-LL-700

**ROD FOR MUD PUMP**

	PISTON ROD	SUB ROD	CONNECTING ROD	EXTENSION ROD	ROD CLAMP	PISTON ROD NUT
<b>PART NUMBER</b>	OM-0283-C	OM-0283-B	OM-0283-D	OM-16-0282	OM-24-0282	OM-7403364



**LINER AND GASKET**

SIZE	BIMETAL LINER P/N	CERAMIC LINER	LINER GASKET
3-1/2"	OM-0289-34HP	N/A	N/A
4"	OM-0289-40HP	N/A	N/A
4-1/2"	OM-0289-44HP	N/A	N/A
5"	OM-0289-50HP	N/A	N/A
5-1/2"	OM-0289-54HP	N/A	N/A
6"	OM-0289-60HP	N/A	N/A
6-1/2"	OM-0289-64HP	N/A	N/A
7"	OM-0289-70HP	N/A	N/A
7-1/4"	OM-0289-72HP	N/A	N/A
7-1/2"	OM-0289-74HP	N/A	N/A

GASKETS	
VALVE COVER GASKET	CYLINDER HEAD GASKET
OMG-0760	N/A

**VALVE AND SEAT SERIES**

SERIES	4-WEB	FULL OPEN	G2	3-WEB
VALVE (Urethane Insert)	OM-U5C-EEF	OM-7FO-V1	OM-1560985	OM-202PZL482A
VALVE (Rubber Insert)	OM-5C-EEF	N/A	N/A	OM-202PZL483A
VALVE SEAT	OM-7DD-B1	OM-7FO-S1	OM-1561370	OM-202PZL039
VALVE SPRING	OM-5710-110	OM-5710-115L	OM-1560702	OM-5710-110
VALVE INSERT (Urethane)	OM-UDD-7B	OM-7FO-SI	OM-1560557	OM-201PZL106
VALVE INSERT (Rubber)	OM-DD-7B	N/A	N/A	OM-202PZL106
VALVE SEAT PULLER HEAD	OM-1700-6	OM-1700-6FO	OM-1700-6G2	OM-1700-7R

**PISTON COMPLETED**

PISTON SIZE	IMPERIAL PISTON	IMPERIAL RUBBER KITS	LONG LIFE URETHANE
4"	OM-I40HK14/15	OM-I40HK	OM-LL-400
4 1/2"	OM-I44HK14/15	OM-I44HK	OM-LL-440
5"	OM-I50HB14/15	OM-I50HB	OM-LL-500
5 1/2"	OM-I54HB14/15	OM-I54HB	OM-LL-540
6"	OM-I60HB14/15	OM-I60HB	OM-LL-600

**ROD FOR MUD PUMP**

	PISTON ROD	SUB ROD	CONNECTING ROD	EXTENSION ROD	ROD CLAMP	PISTON ROD NUT
<b>PART NUMBER</b>	OM-0283-C	OM-0283-A	OM-0283-D	OM-16-0284	OM-24-0284	OM-7403364



**LINER AND GASKET**

SIZE	BIMETAL LINER P/N	CERAMIC LINER	LINER GASKET
3-1/2"	OM-0289-34HP	N/A	N/A
4"	OM-0289-40HP	N/A	N/A
4-1/2"	OM-0289-44HP	N/A	N/A
5"	OM-0289-50HP	N/A	N/A
5-1/2"	OM-0289-54HP	N/A	N/A
6"	OM-0289-60HP	N/A	N/A
6-1/2"	OM-0289-64HP	N/A	N/A
7"	OM-0289-70HP	N/A	N/A
7-1/4"	OM-0289-72HP	N/A	N/A
7-1/2"	OM-0289-74HP	N/A	N/A

\*OM-0285 FOR 1100-PT WITH SMALL OD.

GASKETS	
VALVE COVER GASKET	CYLINDER HEAD GASKET
OMG-0760	N/A

**VALVE AND SEAT SERIES**

SERIES	4-WEB	FULL OPEN	G2	3-WEB
VALVE (Urethane Insert)	OM-U5C-EEF	OM-7FO-V1	OM-1560985	OM-202PZL482A
VALVE (Rubber Insert)	OM-5C-EEF	N/A	N/A	OM-202PZL483A
VALVE SEAT	OM-7DD-B1	OM-7FO-S1	OM-1561370	OM-202PZL039
VALVE SPRING	OM-5710-110	OM-5710-115L	OM-1560702	OM-5710-110
VALVE INSERT (Urethane)	OM-UDD-7B	OM-7FO-SI	OM-1560557	OM-201PZL106
VALVE INSERT (Rubber)	OM-DD-7B	N/A	N/A	OM-202PZL106
VALVE SEAT PULLER HEAD	OM-1700-7	OM-1700-7FO	OM-1700-7GR	OM-1700-7R

**PISTON COMPLETED**

PISTON SIZE	IMPERIAL PISTON	IMPERIAL RUBBER KITS	LONG LIFE URETHANE
4"	OM-I40HK14/15	OM-I40HK	OM-LL-400
4 1/2"	OM-I44HK14/15	OM-I44HK	OM-LL-440
5"	OM-I50HB14/15	OM-I50HB	OM-LL-500
5 1/2"	OM-I54HB14/15	OM-I54HB	OM-LL-540
6"	OM-I60HB14/15	OM-I60HB	OM-LL-600

**ROD FOR MUD PUMP**

	PISTON ROD	SUB ROD	CONNECTING ROD	EXTENSION ROD	ROD CLAMP	PISTON ROD NUT
PART NUMBER	OM-0283-C	OM-0283-A	OM-0283-D	OM-16-0284	OM-24-0284	OM-7403364



**LINER AND GASKET**

SIZE	BIMETAL LINER P/N	CERAMIC LINER	LINER GASKET
4-1/2"	OM-0283-44HP	N/A	N/A
5"	OM-0283-50HP	OM-17PTCL-50	N/A
5-1/2"	OM-0283-54HP	OM-17PTCL-54	N/A
6"	OM-0283-60HP	OM-17PTCL-60	N/A
6-1/2"	OM-0283-64HP	OM-17PTCL-64	N/A
7"	OM-0283-70HP	OM-17PTCL-70	N/A
7-1/4"	OM-0283-72HP	N/A	N/A
7-1/2"	OM-0283-74CR	N/A	N/A

GASKETS	
VALVE COVER GASKET	CYLINDER HEAD GASKET
OMG-0760	N/A

**VALVE AND SEAT SERIES**

SERIES	4-WEB	FULL OPEN	G2	3-WEB
VALVE (Urethane Insert)	OM-U5C-EEF	OM-7FO-V1	OM-1560985	OM-202PZL482A
VALVE (Rubber Insert)	OM-5C-EEF	N/A	N/A	OM-202PZL483A
VALVE SEAT	OM-7DD-B1	OM-7FO-S1	OM-1561370	OM-202PZL039
VALVE SPRING	OM-5710-110	OM-5710-115L	OM-1560702	OM-5710-110
VALVE INSERT (Urethane)	OM-UDD-7B	OM-7FO-SI	OM-1560557	OM-201PZL106
VALVE INSERT (Rubber)	OM-DD-7B	N/A	N/A	OM-202PZL106
VALVE SEAT PULLER HEAD	OM-1700-7	OM-1700-7FO	OM-1700-7GR	OM-1700-7R

**PISTON COMPLETED**

PISTON SIZE	IMPERIAL PISTON	IMPERIAL RUBBER KITS	LONG LIFE URETHANE
4"	OM-I40HK14/15	OM-I40HK	OM-LL-400
4 1/2"	OM-I44HK14/15	OM-I44HK	OM-LL-440
5"	OM-I50HB14/15	OM-I50HB	OM-LL-500
5 1/2"	OM-I54HB14/15	OM-I54HB	OM-LL-540
6"	OM-I60HB14/15	OM-I60HB	OM-LL-600
6 1/2"	OM-I64HL14/15	OM-I64HL	OM-LL-640
7"	OM-I70HL14/15	OM-I70HL	OM-LL-700
7 1/2"	OM-I74HL14/15	OM-I74HL	OM-LL-740

**ROD FOR MUD PUMP**

	PISTON ROD	SUB ROD	CONNECTING ROD	EXTENSION ROD	ROD CLAMP	PISTON ROD NUT
<b>PART NUMBER</b>	OM-0283-C	OM-0283-A	OM-0283-D	OM-16-0284	OM-24-0284	OM-7403364



**LINER AND GASKET**

SIZE	BIMETAL LINER P/N	CERAMIC LINER	LINER GASKET
4-1/2"	OM-0283-44HP	N/A	N/A
5"	OM-0283-50HP	OM-17PTCL-50	N/A
5-1/2"	OM-0283-54HP	OM-17PTCL-54	N/A
6"	OM-0283-60HP	OM-17PTCL-60	N/A
6-1/2"	OM-0283-64HP	OM-17PTCL-64	N/A
7"	OM-0283-70HP	OM-17PTCL-70	N/A
7-1/4"	OM-0283-72HP	N/A	N/A
7-1/2"	OM-0283-74CR	N/A	N/A

GASKETS	
VALVE COVER GASKET	CYLINDER HEAD GASKET
OMG-0760	N/A

**VALVE AND SEAT SERIES**

SERIES	4-WEB	FULL OPEN	G2	3-WEB
VALVE (Urethane Insert)	OM-U5C-EEF	OM-7FO-V1	OM-1560985	OM-202PZL482A
VALVE (Rubber Insert)	OM-5C-EEF	N/A	N/A	OM-202PZL483A
VALVE SEAT	OM-7DD-B1	OM-7FO-S1	OM-1561370	OM-202PZL039
VALVE SPRING	OM-5710-110	OM-5710-115L	OM-1560702	OM-5710-110
VALVE INSERT (Urethane)	OM-UDD-7B	OM-7FO-SI	OM-1560557	OM-201PZL106
VALVE INSERT (Rubber)	OM-DD-7B	N/A	N/A	OM-202PZL106
VALVE SEAT PULLER HEAD	OM-1700-7	OM-1700-7FO	OM-1700-7GR	OM-1700-7R

**PISTON COMPLETED**

PISTON SIZE	IMPERIAL PISTON	IMPERIAL RUBBER KITS	LONG LIFE URETHANE
4"	OM-I40HK14/15	OM-I40HK	OM-LL-400
4 1/2"	OM-I44HK14/15	OM-I44HK	OM-LL-440
5"	OM-I50HB14/15	OM-I50HB	OM-LL-500
5 1/2"	OM-I54HB14/15	OM-I54HB	OM-LL-540
6"	OM-I60HB14/15	OM-I60HB	OM-LL-600
6 1/2"	OM-I64HL14/15	OM-I64HL	OM-LL-640
7"	OM-I70HL14/15	OM-I70HL	OM-LL-700
7 1/2"	OM-I74HL14/15	OM-I74HL	OM-LL-740

**ROD FOR MUD PUMP**

	PISTON ROD	SUB ROD	CONNECTING ROD	EXTENSION ROD	ROD CLAMP	PISTON ROD NUT
<b>PART NUMBER</b>	OM-0283-C	OM-0283-A	OM-0283-D	OM-16-0284	OM-24-0284	OM-7403364



**LINER AND GASKET**

SIZE	BIMETAL LINER PN	CERAMIC LINER	LINER GASKET
4-1/2"	OM-0481-44HP	N/A	OMG-0754
5"	OM-0481-50HP	OM-OPI7CL-50	OMG-0754
5-1/2"	OM-0481-54HP	OM-OPI7CL-54	OMG-0754
6"	OM-0481-60HP	OM-OPI7CL-60	OMG-0754
6-1/2"	OM-0481-64HP	OM-OPI7CL-64	OMG-0754
7"	OM-0481-70HP	OM-OPI7CL-70	OMG-0754

**VALVE AND SEAT SERIES**

SERIES	4-WEB	FULL OPEN	G2	NF
VALVE (Urethane Insert)	MK-U5B-EH	MK-6FO-V1	MK-1560995	NF-6-V1
VALVE (Rubber Insert)	MK-5BEH	N/A	N/A	
VALVE SEAT	MK-6ADD-B6	MK-6FO-S1	MK-1561380	
VALVE SPRING	MK-5710-115	MK-5710-115	MK-1560701	
VALVE INSERT (Urethane)	MK-UDD-6AB	MK-6FO-SI	N/A	OM-19000-4
VALVE INSERT (Rubber)	MK-DD-6AB	N/A	N/A	NF-6-I
VALVE SEAT PULLER HEAD	MK-1700-6	MK-1700-6FO	MK-1700-6G2	N/A

**PISTON COMPLETED**

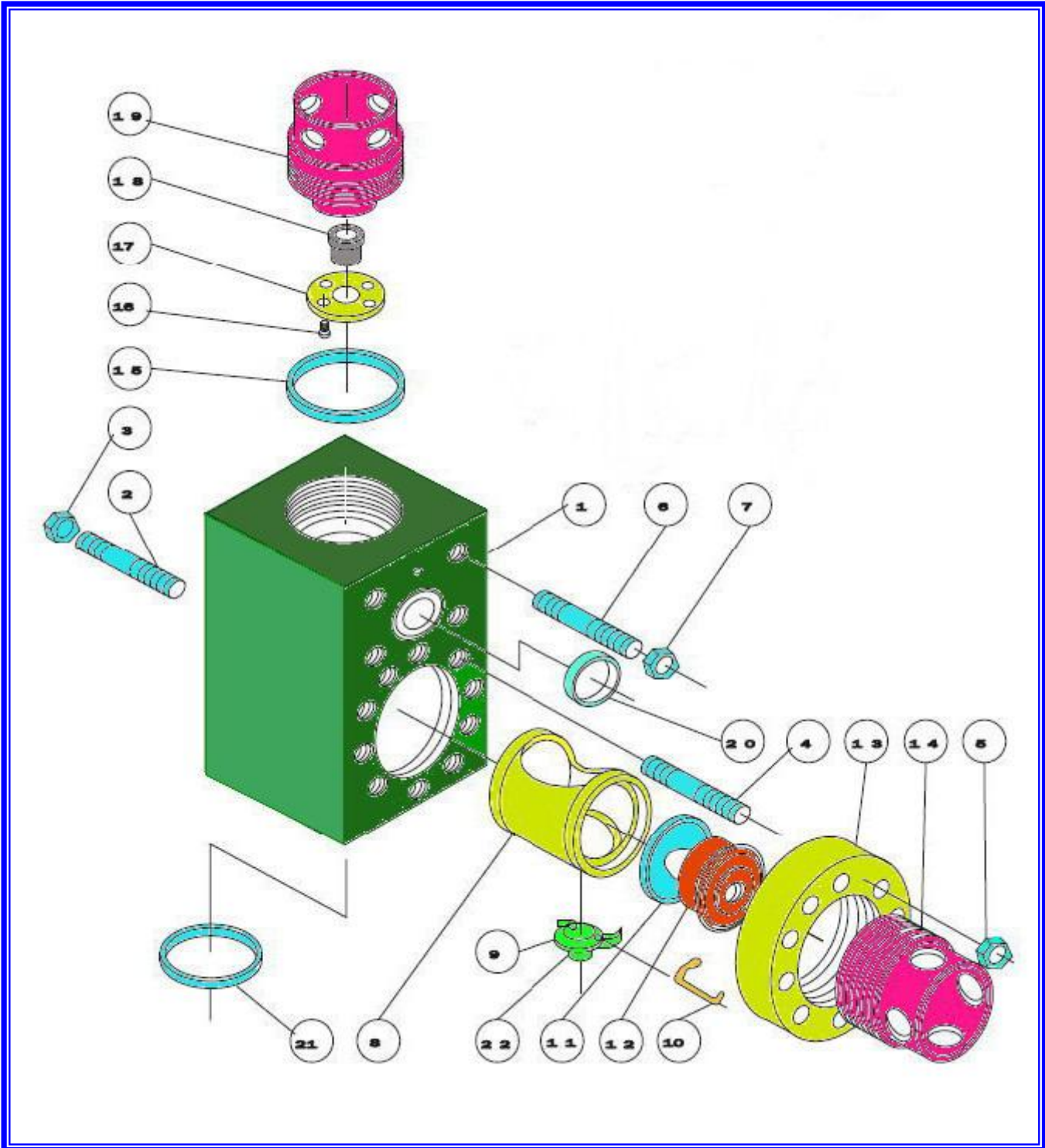
PISTON SIZE	IMPERIAL PISTON	IMPERIAL RUBBER KITS	LONG LIFE URETHANE
4 1/2"	MK-I44HK14/15	MK-I44HK	OM-LL-440
5"	MK-I50HB14/15	MK-I50HB	OM-LL-500
5 1/2"	MK-I54HB14/15	MK-I54HB	OM-LL-540
6"	MK-I60HB14/15	MK-I60HB	OM-LL-600
6 1/2"	MK-I64HL14/15	MK-I64HL	OM-LL-640
7"	MK-I70HL14/15	MK-I70HL	OM-LL-700

**ROD FOR MUD PUMP**

	PISTON ROD	SUB ROD	EXTENSION ROD	ROD CLAMP	PISTON ROD NUT
CLAMP TYPE	OM-0481	OM-0481-B	OM-16-0481	OM-24-0481	OM-7403364
THREADTYPE	OM-0482	OM-0482-B	OM-16-0481	OM-24-0481	OM-7403364

**EMSCO F-350 F-500 F-650**

**FLUID END MODULE  
AND ACCESSORIES**





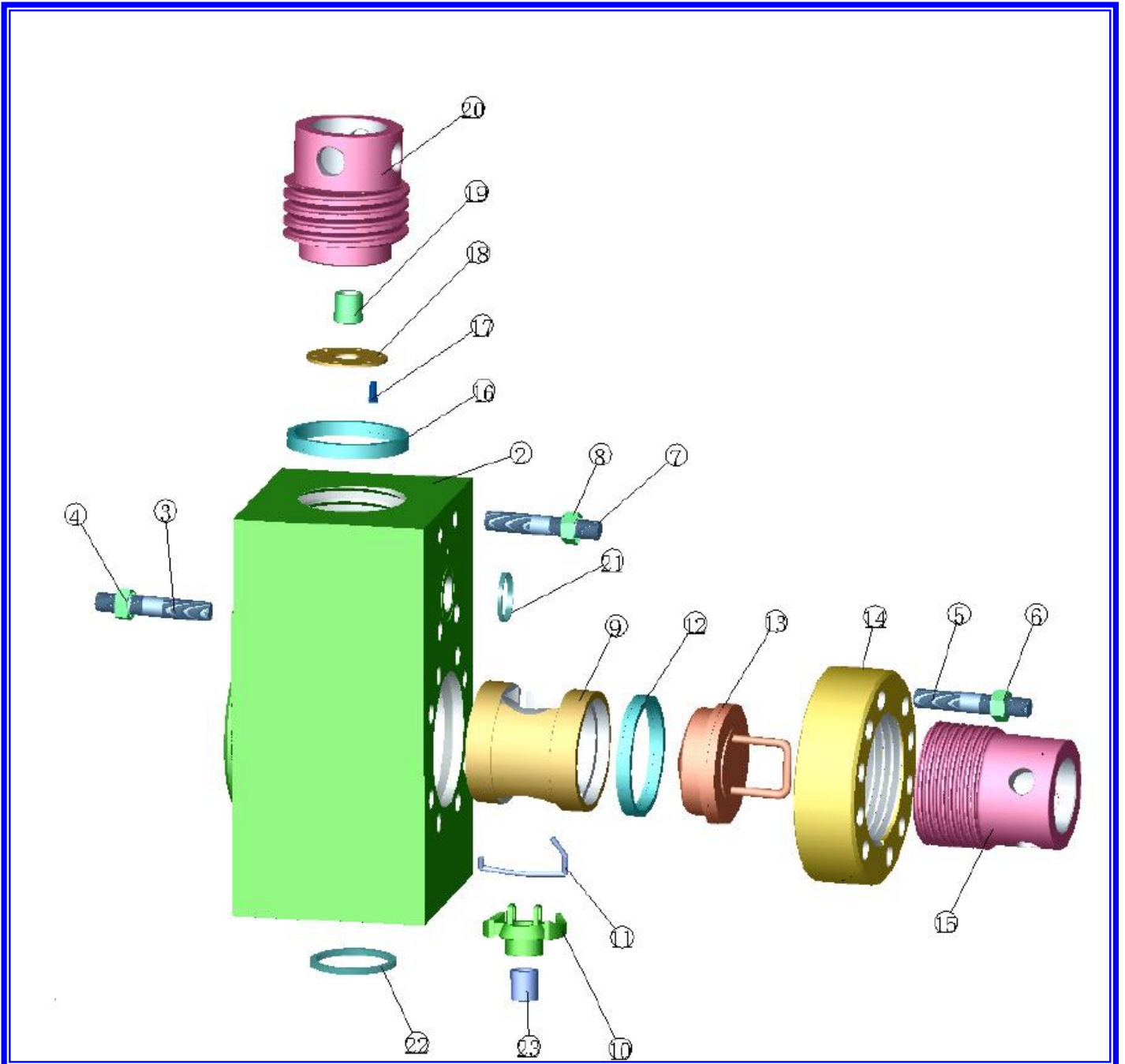


## EMSCO F-350 F-500 F-650

### FLUID END MODULE AND ACCESSORIES

ITEM	PART NUMBER	DESCRIPTION	QTY/PUMP
1	OM-6318-0150-00	FLUID MODULE STUDDER	3
2	OM-7507-2205-00	STUD, FRAME	18
3	OM-7601-0630-17	NUT STUD FRAME	18
4	OM-7507-3402-00	STUD, THREADED RING	30
5	OM-7601-0630-26	NUT THREADED RING	30
6	OM-7507-3407-00	STUD, DISCHARGE MANIFOLD	12
7	OM-7601-0630-26	NUT DISCHARGE MANIFOLD	12
8	OM-6318-0148-00	LINER CAGE	3
9	OM-6318-0177-00	GUIDE, LOWER VALVE (WITH BUSHING)	3
10	OM-6318-0153-00	CLIP, LOCKING (FOR LOWER VALVE GUIDE)	3
11	OM-7602-2200-34	GASKET, LINER	6
12	OM-6318-0158-00	CYLINDER HEAD PLUG	3
13	OM-6318-0130-00	RING, THREADED CYLINDER HEAD	3
14	OM-6318-0157-00	CAP, THREADED CYLINDER HEAD	3
15	OM-6310-0084-00	GASKET, VALVE COVER	3
16	OM-7501-0051-00	SCREW, RETAINER (UPPER)	12
17	OM-6310-0133-00	RETAINER PLATE (UPPER)	3
18	OM-6397-0602-00	GUIDE, UPPER VALVE	3
19	OM-6310-0016-01	COVER, VALVE POT	3
20	OM-7602-1600-23	GASKET, DISCHARGE MANIFOLD	3
21	OM-7602-1600-33	GASKET, SUCTION MANIFOLD	3
22	OM-6318-0155-00	BUSHING, LOWER VALVE GUIDE	3

**FLUID END MODULE  
AND ACCESSORIES**



\*Only for Ref.

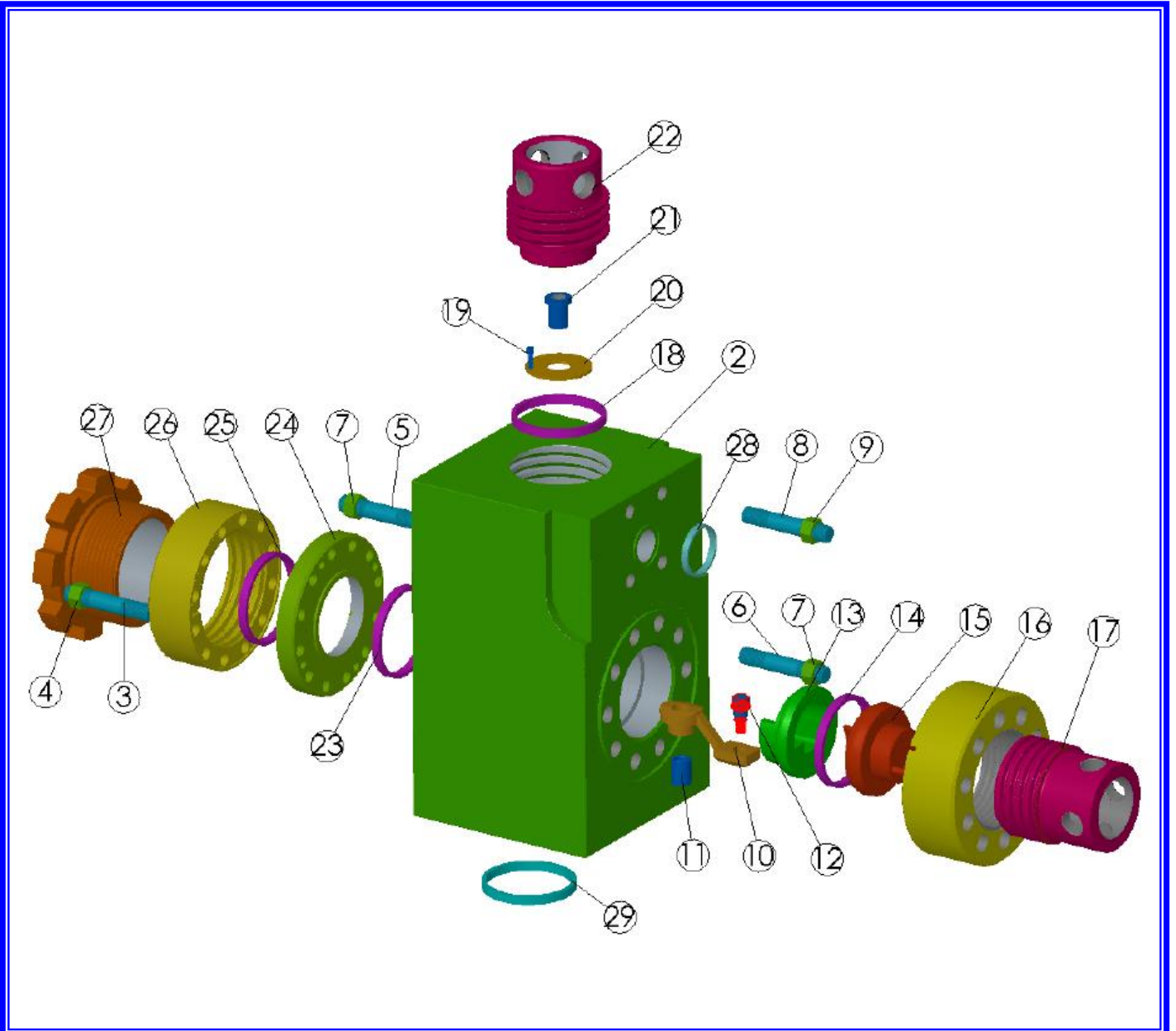


## EMSCO F-800 F-1000

### FLUID END MODULE AND ACCESSORIES

ITEM	PART NUMBER	DESCRIPTION	QTY/PUMP
		FLUID END MODULE COMPLETE ASSEMBLY(INCLUDES ITEM 2-23)	3
1	OM-6999-0086-02	FLUID END MODULE STUDDED(INCLUDES ITEM 2-8)	3
2	OM-6999-0087-02	FLUID END MODULE(UNSTUDED)	3
3	OM-7507-2205-00	STUD FRAME	18
4	OM-7601-0630-17	NUT(FOR ABOVE)	18
5	OM-7507-2150-00	STUD,THREADED RING	30
6	OM-7601-0630-28	NUT(FOR ABOVE)	30
7	OM-7507-2108-00	STUD,DISCHARGE MANIFOLD	12
8	OM-7601-0630-24	NUT(FOR ABOVE)	12
9	OM-6319-0026-00	CAGE,LINER	3
10	OM-6319-0087-00	GUIDE,LOWER VALVE(WITH DUSHING)	3
11	OM-6319-0089-00	CLIP,LOCKING(FOR LOWER VALVE GUIDE)	3
12	OM-7602-2200-32	GASKET,LINER CYLINDER HEAD(G-282)	6
13	OM-6319-0031-00	PLUG,CYLINDER HEAD	3
14	OM-6999-0089-00	RING,THREADED CYLINDER HEAD	3
15	OM-6319-0090-00	CAP, THREADED CYLINDER HEAD	3
16	OM-6319-0076-00	GASKET,VALVE COVER(G-740)	3
17	OM-7501-0051-00	SCREW,RETAINER(UPPER)	12
18	OM-6397-0603-00	RETAINER PLATE(UPPER)	3
19	OM-6397-0575-00	GUIDE,UPPER VALVE	3
20	OM-6319-0027-00	COVER VALVE POT	3
21	OM-7602-1610-46	GASKET,DISCHARGE MANIFOLD	3
22	OM-7602-1600-61	GASKET,SUCTION MANIFOLD	3
23	OM-6316-0096-00	BUSHING,LOWER VALVE GUIDE	3
24	TMF08-STUDSSET	F-800/1000 STUDS AND NUTS SET(INCLUDES 6PCS 7507-2205-00,6PCS 7601-0630-17,10PCS 7507-2150-00,10PCS 7601-0630-28,4PCS 7507-2108-00,4PCS 7601-0830-24)	3
25	TMF09-SEALKIT (07924503)	F-800/1000 MODULE SEAL KIT (INCLUDES ONE G-282,ONE G-740,ONE 7602-1610-46,ONE 7602-1600-61)	3

**FLUID END MODULE  
AND ACCESSORIES**





## EMSCO FB-1300 FB-1600

### FLUID END MODULE AND ACCESSORIES

ITEM	PART NUMBER	DESCRIPTION	QTY/PUMP
	OM-6316-0325-00	FLUID END MODULE COMPLETE ASSEMBLY(INCLUDES ITEM 2-24,26-29)	3
1	OM-6316-0357-00	FLUID END MODULE STUDDED(INCLUDES ITEM 2-9)	3
2	OM-6316-0356-00	FLUID END MODULE ONLY(UNSTUDED)	3
3	OM-7507-2013-00	STUD,MODULE TO LINER CLAMP	36
4	OM-7601-0610-18	LINER CLAMP STUD NUT	36
5	OM-7507-2201-00	POWER FRAME STUD	18
6	OM-7507-2210-00	STUD,MODULE TO CYLINDER	18
7	OM-7601-0630-17	NUT(FOR ABOVE)	30
8	OM-7507-2108-00	STUD,MODULE TO DISC,MANIFOLD	12
9	OM-7601-0630-24	NUT(FOR ABOVE)	12
10	OM-6316-0354-00	GUIDE,LOWER VALVE(WITH BUSHING)	3
11	OM-6316-0096-00	BUSHING,LOWER VALVE GUIDE	3
12	OM-6316-0360-00	LOCKBOLT,LOWER VALVE GUIDE	3
13	OM-6316-0363-00	ALIGNMENT RING	3
14	OM-6316-0369-00	GASKET,HEAD SEAL(G-801)	3
15	OM-6316-0364-00	PLUG,CYLINDER HEAD	3
16	OM-6316-0361-00	RING,THREADED CYLINDER HEAD	3
17	OM-6316-0362-00	CAP,THREADED CYLINDER HEAD	3
18	OM-6316-0092-00	GASKET,VALVE COVER(G-741)	3
19	OM-7501-0051-00	SCREW,RETAINER(UPPER)	12
20	OM-6397-0603-00	PLATE,RETAINER(UPPER)	3
21	OM-6397-0575-00	GUIDE,UPPER VALVE	3
22	OM-6316-0039-00	COVER VALVE POT	3
23	OM-6316-0373-00	GASKET WEAR PLATE(G-800)	3
24	OM-6316-0385-00	PLATE,WEAR	3
25	OM-6316-0373-00	GASKET, LINER(G-800)	3
26	OM-6316-0366-00	RING,LINER THREADED	3
27	OM-6316-0367-00	LINER LOCK	3
28	OM-7602-1600-25	GASKET,DISCHARGE MANIFOLD	3
29	OM-7602-1600-61	GASKET,SUCTION MANIFOLD	3
30	TMFB6-STUDS SET	FB-1300/1600 STUDS AND NUTS SET(INCLUDES 12PCS 7507-2013-00,12PCS 7601-0610-18,6PCS 7507-2201-00,10PCS 7507-2210-00,16PCS 7601-0630-17,4PCS 7507-2108-00,4PCS 7601-0630-24	3
31	TMFB6-SEAL KIT	FB-1300/1600 MODULE SEAL KIT(INCLUDES ONE G-800,ONE G-741,ONE G-801,ONE 7602-1600-25,ONE 7602-1600-61)	3



**GD PAH PJ-8A**

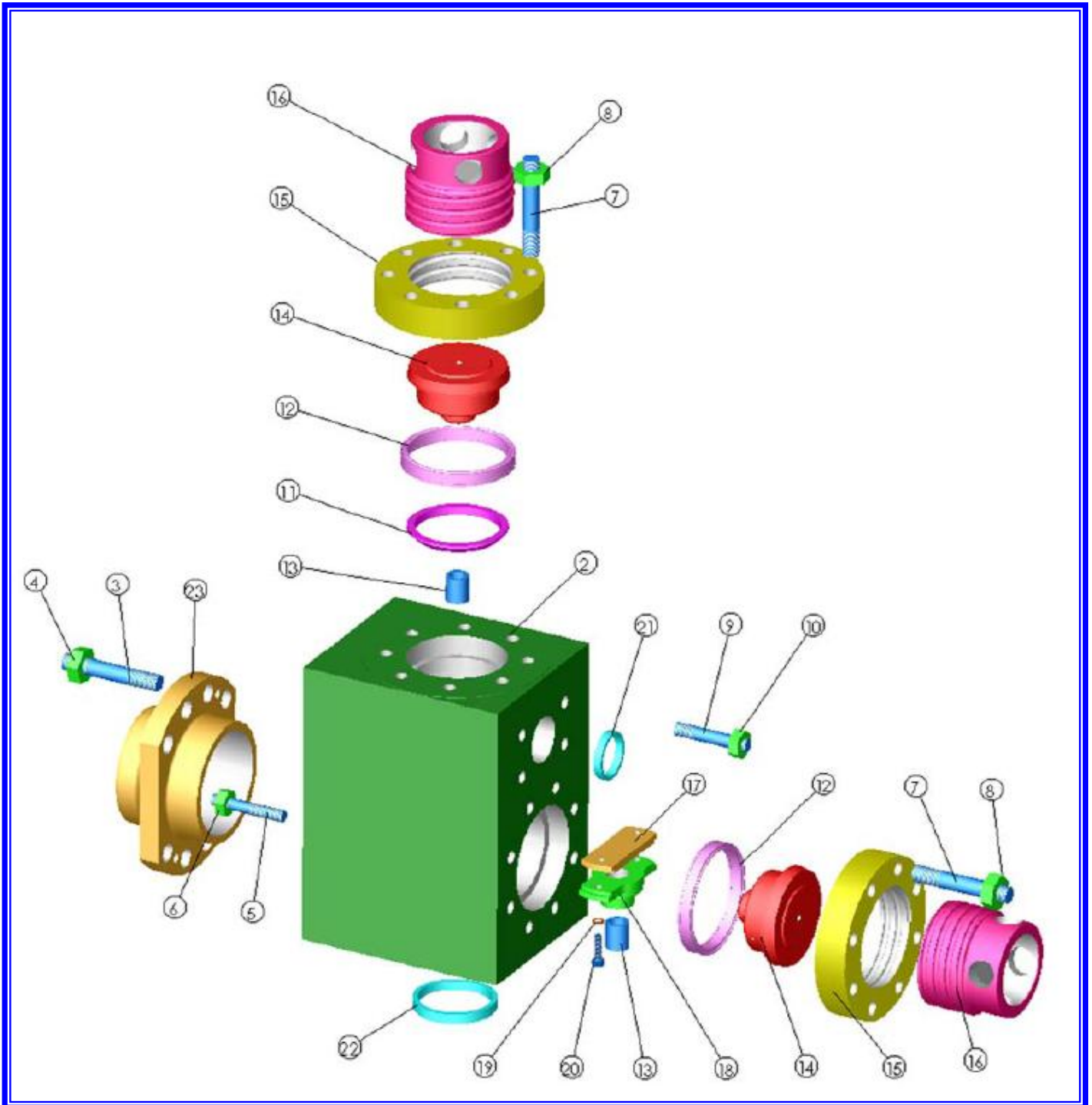
**FLUID END MODULE AND ACCESSORIES**

**GD PAH PJ-8A**

**FLUID END MODULE AND ACCESSORIES**

ITEM	PART NUMBER	DESCRIPTION	QTY/PUMP
		FLUID END MODULE COMPLETE ASSEMBLY(INCLUDES ITEM 2-16)	3
1	OM-200PJH029B	FLUID END MODULE STUDED9(INCLUDES ITEM 2,4,5,10,11)	3
2	OM-200PJH029U	FLUID END MODULE ONLY	3
3	OM-3PA587	THREADED CAP(COVER LOCK)	6
4	OM-79L142	DISCHARGE MANIFOLD STUD	12
5	OM-50B9	NUT,DISCHARGE MANIFOLD STUD	12
6	OM-200PJH147	VALVE COVER PAH	6
7	OM-2013547	PAH DISCHARGE VALVE GUIDE BUSHING	3
8	OM-1PA217	PAH LINER CLAMP	3
9	OM-200PJH205	PAH SUCTION VALVE GUIDE RETAINER	3
10	OM-79AJ2	LINER CLAMP STUD	18
11	OM-50B35	LINER CLAMP STUD NUT	35
12	OM-200PJH715	VALVE COVER GASKET(G-799)	3
13	OM-200PJH483	VALVE GUIDE,SUCTION	3
14	OM-200PJH715	GASKET,CYLINDER HEAD(G-799)	3
15	OM-25AL54	GASKET,DISCHARGE MANIFOLD	3
16	OM-25G18	GASKET,SUCTION MANIFOLD	3
17	TMPAH STUDSSET	PAH STUDS AND NUTS SET(INCLUDES 4PCS 79L142,4PCS 5089,6PCS 79AJ2,12 PCS 50B35)	3
18	TMPAH-SEALKIT	PAH MODULE SEAL KIT(INCLUDES TWO G-799,ONE 25AL54,ONE 25G18)	3

**FLUID END MODULE  
AND ACCESSORIES**



\*Only for Ref.



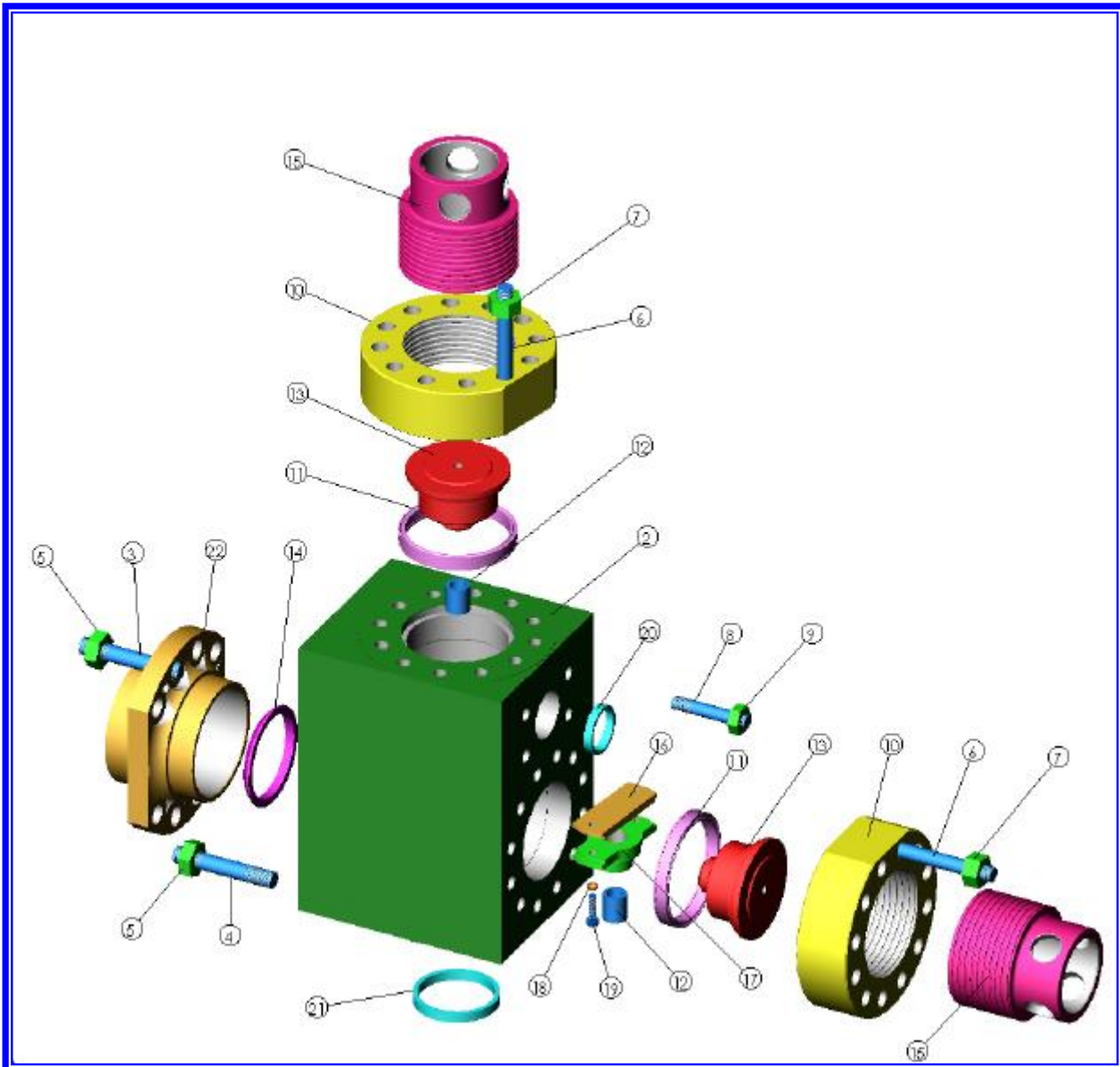
## GD PZ-7,PZ-8,PZ-9

### FLUID END MODULE AND ACCESSORIES

ITEM	PART NUMBER	DESCRIPTION	QTY/PUMP
		FLUID END MODULE COMPLETE ASSEMBLY(INCLUDES ITEM 2-16,21-24)	3
1	OM-205PZL0280	FLUID END MODULE STUDDERED(INCLUDES ITEM 2-10)	3
2	OM-205-6651-18	FLUID END MODULE ONLY	3
3	OM-79L188	STUD,FRAME & LINER CLAMP	24
4	OM-50B36	NUT(FOR ABOVE)	48
5	OM-79L73	STUD,FRAME	12
6	OM-50AQ30	NUT(FOR ABOVE)	12
7	OM-79AL6	STUD,VALVE COVER	48
8	OM-50B34	NUT(FOR ABOVE)	48
9	OM-202PZL110	STUD,DISCHARGE MANIFOLD	12
10	OM-50B34	NUT(FOR ABOVE)	12
11	OM-2011861	RING VALVE COVER GASKET EXPANDER	6
12	OM-2011862	GASKET VALVE COVER(G-749)	6
13	OM-2007674	BUSHING,VALVE GUIDE	6
14	OM-2011860	COVER VALVE	6
15	OM-2011699	RING,VALVE COVER THREADED	6
16	OM-2011857	CAP,VALVE COVER LOCK	6
17	OM-2011701	PLATE,RETAINER	3
18	OM-2011700	GUIDE,VALVE SUCTION	3
19	OM-95W2	WASHER,LOCK 1/2" 31655	6
20	OM-655EE06S	SCREW 1/2"*1-3/4" 31655 HX HD C/S	6
21	OM-25AL35	GASKET,DISCHARGE MANIFOLD	3
22	OM-25G41	GASKET,SUCTION MANIFOLD	3
23	OM-1PV14	CLAMP,LINER	3
24	OM-2011706	ASSEMBLY,LOWER VALVE GUIDE(INCLUDES ITEM 13,17-20)	3
25	TMP209-STUDSSET	PZ-7/8/9 STUDS AND NUTS SET(INCLUDES 8 PCS 79L188,16PCS 50B36,4 PCS 79L73,4PCS 50AQ30, 16PCS 79AL6,4 PCS 202PZL110,20PCS 50B34)	3
26	TMP209-SEALKIT	PAH MODULE SEAL KIT (INCLUDES TWO G-749, ONE 25AL35,ONE 25G41)	3



**FLUID END MODULE  
AND ACCESSORIES**



\*Only for Ref.

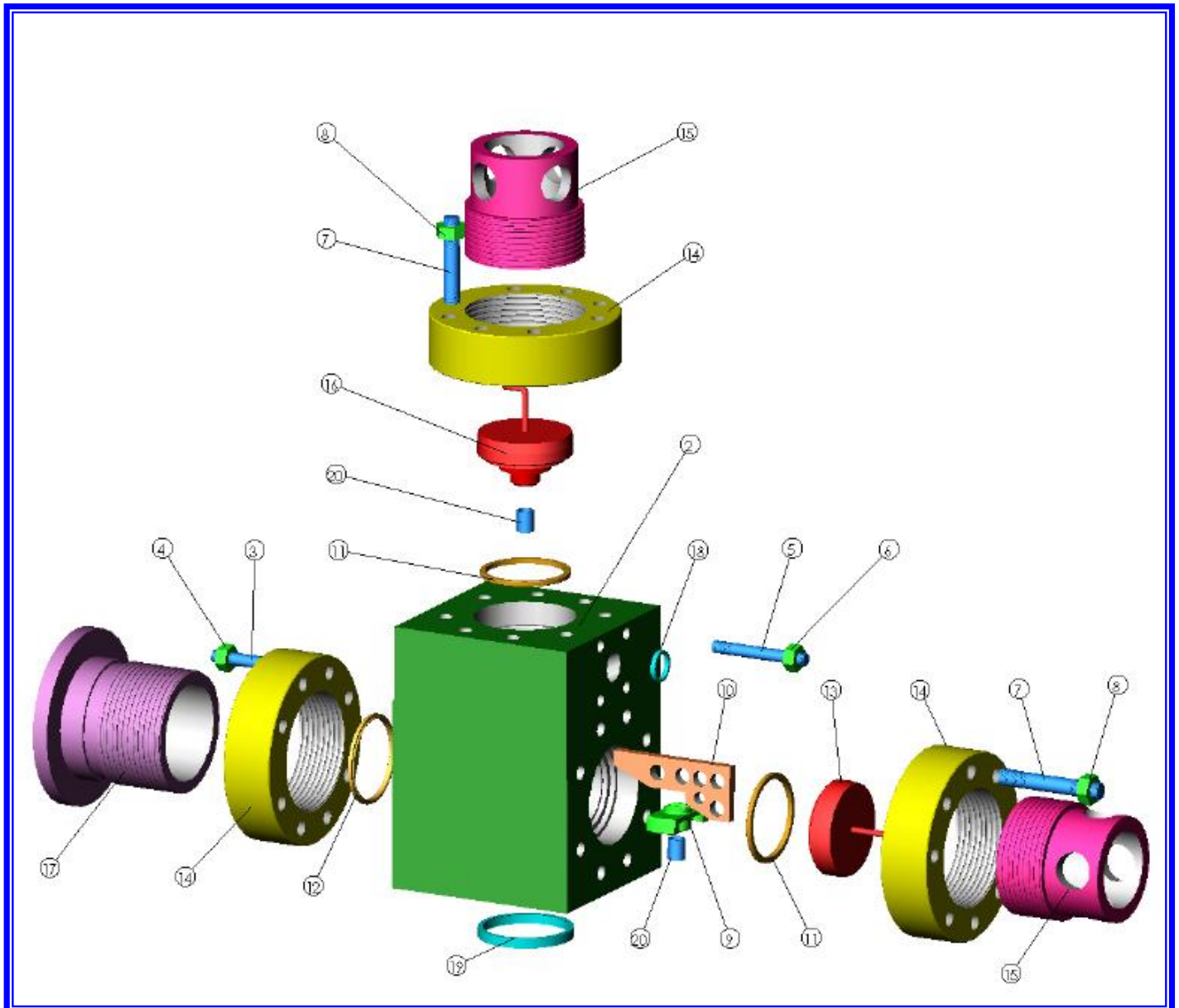


## GD PZ-10, PZ-11

### FLUID END MODULE AND ACCESSORIES

ITEM	PART NUMBER	DESCRIPTION	QTY/PUMP
		FLUID END MODULE COMPLETE ASSEMBLY(INCLUDES ITEM 2-13,15,20-23)	3
1	OM-202PZL029B	FLUID END MODULE STUDED (INCLUDES ITEM 2-9)	3
2	OM-202-6651-20	FLUID END MODULE ONLY	3
3	OM-201PZL110	STUD,FRAME & LINER CLAMP LONG	24
4	OM-205PZL110	STUD,SHORT	24
5	OM-50B36	NUT,FRAME & LINER CLAMP STUD	72
6	OM-204PZL 110	STUD	72
7	OM-50B34	NUT(FOR ABOVE)	72
8	OM-202PZL110	STUD,DISCHARGE MANIFOLD	12
9	OM-50B34	NUT(FOR ABOVE STUD)(SAME AS ITEM 6)	12
10	OM-200PZL387	RING,VALVE COVER THREADED	6
11	OM-204PZL715	GASKET,VALVE COVER(G-798Z)	6
12	OM-2007674	BUSHING,VALVE GUIDE	6
13	OM-200PZL147	COVER,VALVE	6
14	OM-25AL37	LINER GASKET(G-692)	3
15	OM-200PZL587	CAP VALVE COVER LOCK	6
16	OM-2011701	PLATE,RETAINER	3
17	OM-200PZL483	GUIDE,VALVE SUCTION	3
18	OM-95W2	WASHER,LOCK 1/2" 316SS	6
19	OM-655EE065	SCREW 1/2" *1-3/4" 316SS HX HD C/S	6
20	OM-25AL35	GASKET,DISCHARGE MANIFOLD	3
21	OM-25G41	GASKET,SUCTION MANIFOLD	3
22	OM-200PZL455	CLAMP,LINER	3
23	OM-200PZL483A	ASSEMBLY,LOWER VALVE GUIDE(INCLUDES ITEM 12,18,17,18,19)	3
24	TMPZ11-STUDSSET	PZ-10/11 STUDS AND NUTS SET(INCLUDES 8PCS 201PZL110,8PCS 205PZL110,24PCS 50B36,24PCS 204PZL110,28PCS 50B34,4PCS 202PZL110)	3
25	TMPZ11-SEALKIT	PZ-10/11 MODULE SEAL KIT (INCLUDES TWO G-7982, ONE 25AL35, ONE 25G41)	3

**FLUID END MODULE  
AND ACCESSORIES**



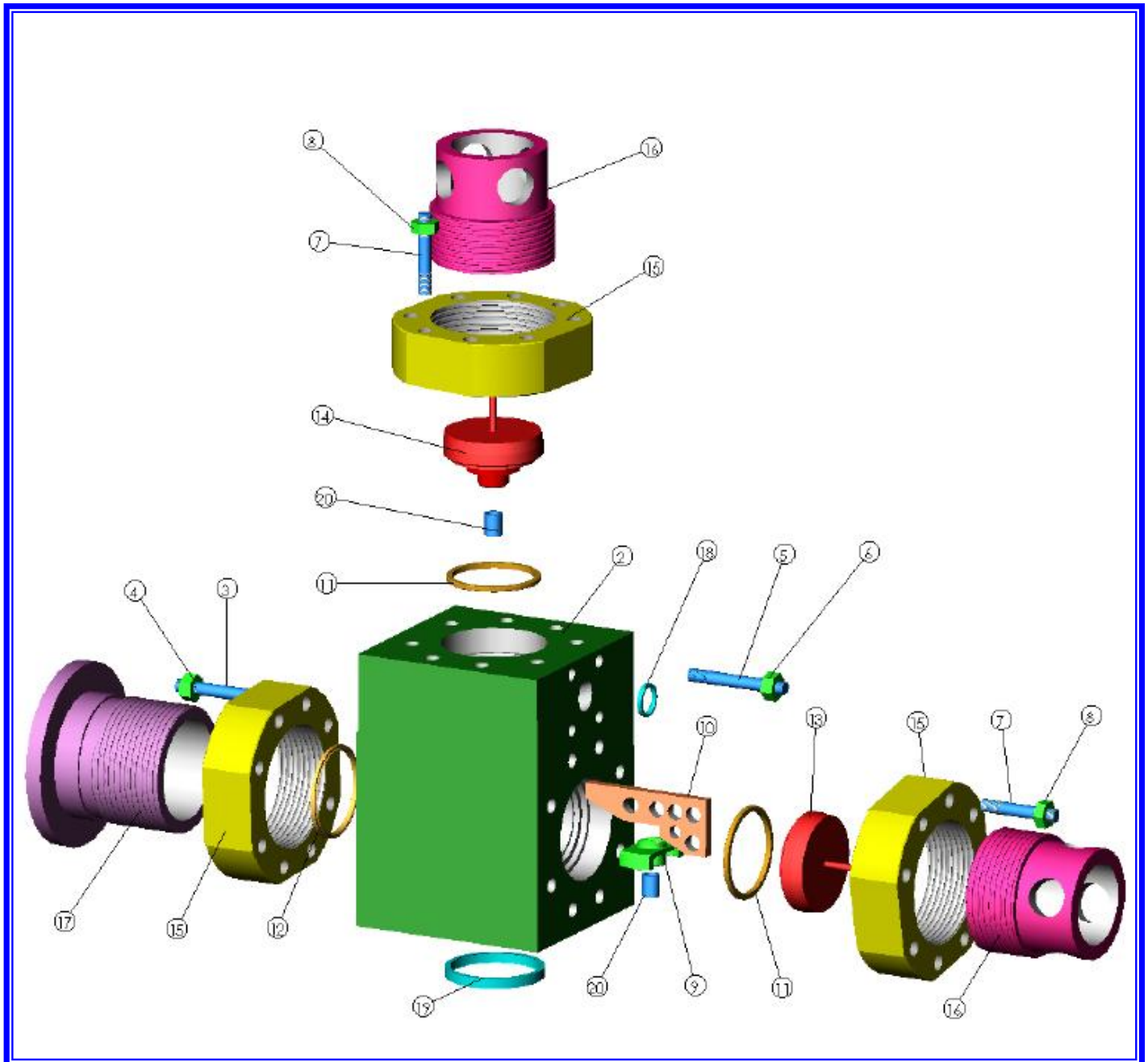


## IDECO T-500 T-800 T-1000

### FLUID END MODULE AND ACCESSORIES

ITEM	PART NUMBER	DESCRIPTION	QTY/PUMP
		FLUID END MODULE COMPLETE ASSEMBLY(INCLUDES ITEM 2-11,13,20)	3
1	OM-551-548	FLUID END MODULE STUDDED(INCLUDES ITEM 2-8)	3
2	OM-551-458U	FLUID END MODULE ONLY	3
3	OM-551-410-01	STUD,POWER FRAME	24
4	OM-IN-146	NUT POWER FRAME STUD	24
5	OM-551-410-02	STUD,DISCHARGE MANIFOLD	12
6	OM-IN-146	NUT,DISCHARGE MANIFOLD STUD	12
7	OM-551-410-03	STUD,THREADED RING	48
8	OM-IN-146	NUT,THREADED RING STUD	48
9	OM-551-405-07	LOWER VALVE GUIDE ASSEMBLY(INCLUDES ITEM 20)	3
10	OM-551-422-04	RETAINER,LOWER VALVE GUIDE	3
11	OM-BTM16696309	GASKET,VALVE COVER CYLINDER HEAD(G-783Z)	6
12	OM-G-783	LINER GASKET	3
13	OM-551-422-02	PLUG,CYLINDER HEAD	3
14	OM-551-405-03	THREADED RING	9
15	OM-551-405-04	THREADED PLUG RETAINER	6
16	OM-551-422-03	UPPER VALVE GUIDE	3
17	OM-551-405-05	NUT, LINER ADAPTER	3
18	OM-IO-548	GASKET DISCHARGE MANIFOLD	3
19	OM-IO-521	GASKET,SUCTION MANIFOLD	3
20	OM-551-405-09	BUSHING,VALVE GUIDE	3
21	TMT10-STUDSSET	T-800/1000 STUDS AND NUTS SET (INCLUDES 8PCS 551-410-01,4PCS 551-410-02,16PCS 551-410-03,28PCS IN-146)	3
22	TMT10-SEALKIT	T800/1000 MODULE SEAL KIT(INCLUDES TWO G-783Z,ONE IO-548,ONE IO-521)	3

**FLUID END MODULE  
AND ACCESSORIES**



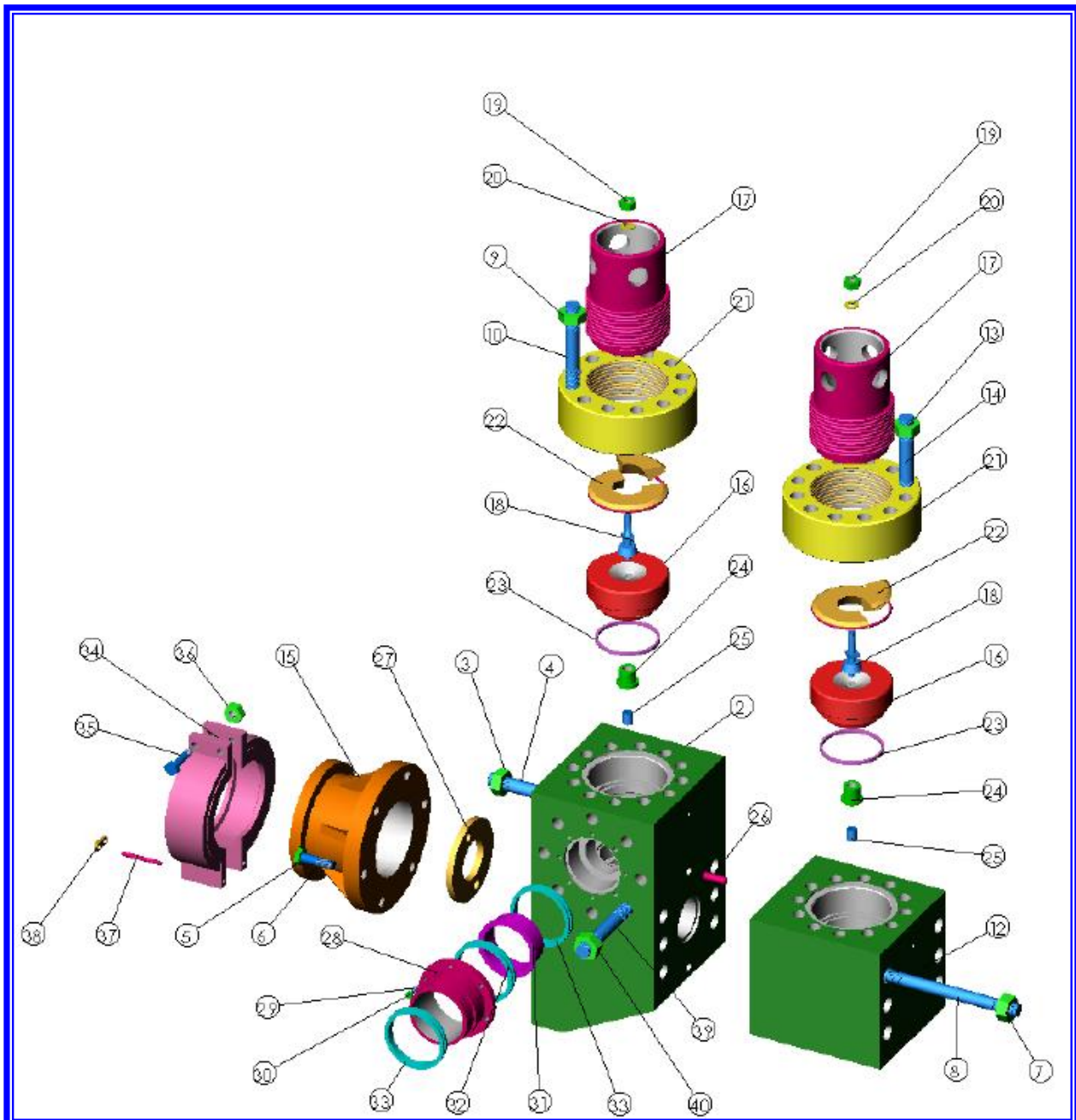


## IDECO T-1300 T-1600

### FLUID END MODULE AND ACCESSORIES

ITEM	PART NUMBER	DESCRIPTION	QTY/PUMP
		FLUID END MODULE COMPLETE ASSEMBLY(INCLUDES ITEM 2-11,13-21)	3
1	OM-551-122-01	MODULE,FLUID END STUDED(INCLUDES ITEM 2-B)	3
2	OM-551-158	MODULE,FLUID END ONLY	3
3	OM-551-110-01	STUD,POWER FRAME	24
4	OM-IN415	NUT,POWER FRAME STUD	24
5	OM-551-110-02	STUD,DISCHARGE MANIFOLD	12
6	OM-IN415	NUT,DISCHARGE MANIFOLD STUD	12
7	OM-551-11003	STUD,THREADED RING	48
8	OM-IN415	NUT,THREADED RING STUD	48
9	OM-551-105-07	ASSEMBLY,LOWER VALVE GUIDE(INCLUDES ITEM 20)	3
10	OM-551-105-08	RETAINER,LOWER VALVE GUIDE	3
11	OM-BTM16696308	GASKET,VALVE COVER,CYLINDER HEAD(G-782Z)	6
12	OM-G-782	LINER GASKET	3
13	OM-551-122-02	PLUG,CYLINDER HEAD	3
14	OM-551-122-02T	GUIDE,UPPER VALVE (INCLUDES ITEM 20)	3
15	OM-551-105-03	RING,THREADED	9
16	OM-551-105-04	CAP,THREADED	6
17	OM-551-105-05	NUT,LINER ADAPTER	3
18	OM-IO548	GASKET,DISCHARGE MANIFOLD	3
19	OM-IO507	GASKET,SUCTION MANIFOLD	3
20	OM-99609339	BUSHING,VALVE GUIDE	6
21	TMT16 STUDSSET	T-1300/1600 STUDS AND NUTS SET(INCLUDES 8 PCS 551-110-01,4 PCS 551-110-02,16PCS 551-110-03,28PCS IN415)	3
22	TMT16-SEALKIT	T-1300/1600 MODULE SEAL KIT(INCLUDES TWO G-782Z,ONE IO-548,ONE IO-507)	3

**FLUID END MODULE  
AND ACCESSORIES**





## NATIONAL 8-P-80

### FLUID END MODULE AND ACCESSORIES

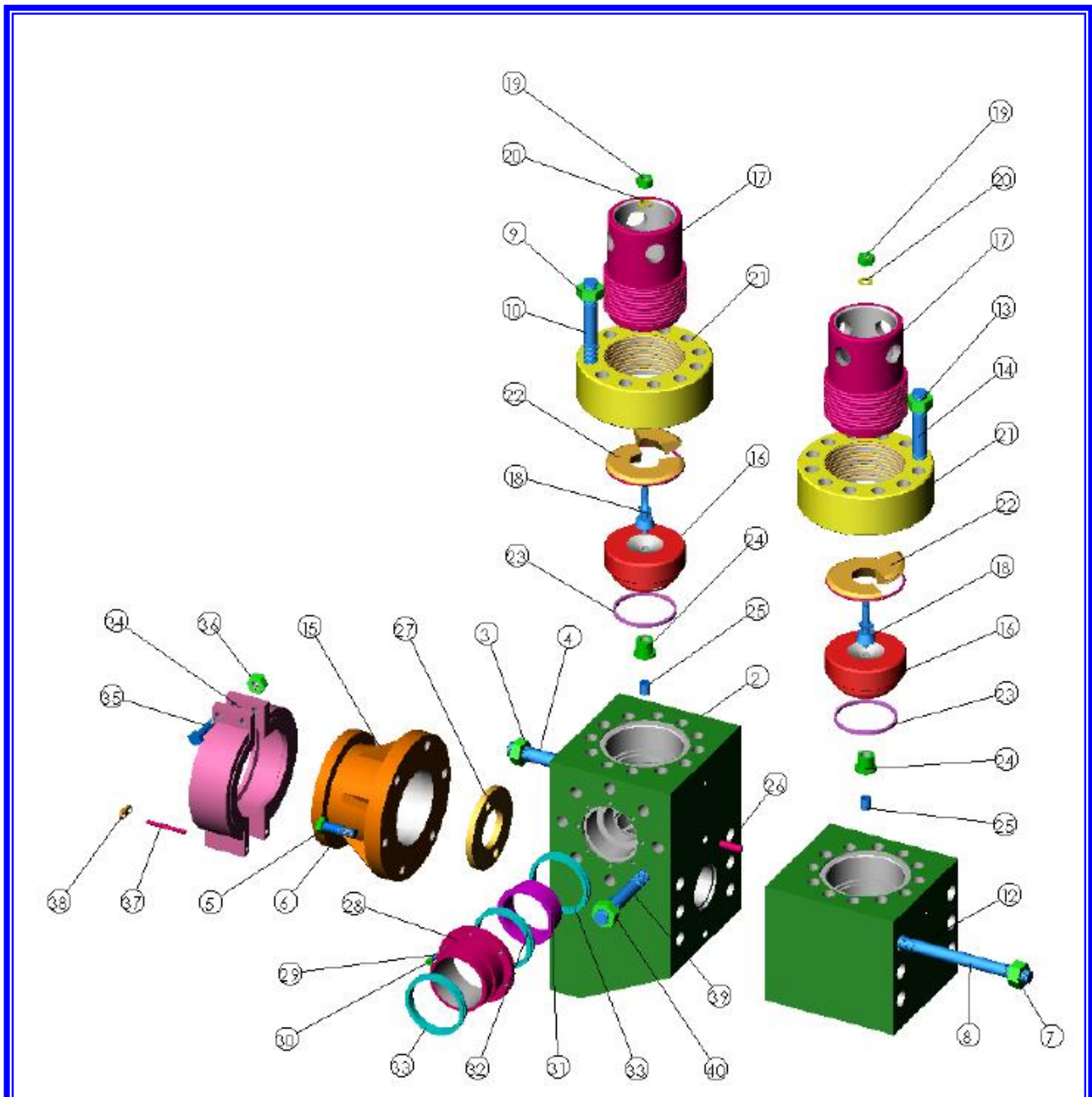
ITEM	PART NUMBER	DESCRIPTION	QTY/PUMP
		FLUID END MODULE COMPLETE ASSEMBLY	3
1	OM-1291280	MODULE,STUDED FLUID END DISCHARGE(INCLUDES ITEM 2-10)	3
2	OM-1291281	DISCHARGE MODULE ONLY	3
3	OM-6300100	NUT,POWER FRAME STUD	24
4	OM-2408026	STUD POWER FRAME	24
5	OM-6300120	NUT,LINER BUSHING STUD	18
6	OM-2408025	STUD,LINER BUSHING	18
7	OM-6300241	NUT,DISCHARGE TO SUCHEN MODULE STUD	18
8	OM-2408034	STUD,DISCHARGE MODULE TO SUCTION MODULE	18
9	OM-6300220	NUT,THREADED RING STUD	36
10	OM-2408019	STUD,THREADED RING	36
11	OM-1290338	MODULE,STUDED FLUID END SUCTION(INCLUDES ITEM 12-14)	3
12	OM-1290339	SUCTION MODULE ONLY	3
13	OM-6300220	NUT,THREADED RING STUD	36
14	OM-2408019	STUD,THREADED RING	36
15	OM-1291165	BUSHING,LINER	3
16	OM-1290174	RETAINER SEAL	6
17	OM-1290307	CAP,VALVE COVER(THREADED)	6
18	OM-1290178	SCREW,ADJUSTING WEDGE	6
19	OM-6300160	NUT,WEDGE ADJUSTING SCREW	6
20	OM-1290315	WASHER,WEDGE ADJUSTING SCREW	6
21	OM-1290308	RING,THREADED	6
22	OM-G-1290376	ASSEMBLY,WEDGE	6
23	OM-1540126	GASKET,VALVE COVER(G-768Z)	6
24	OM-1292140	RETAINER,VALVE GUIDE BUSHING	6
25	OM-1292141	BUSHING,VALVE GUIDE	6
26	OM-6511416	PIN,DOWELL	6
27	OM-1290357	PLATE WEAR	3
28	OM-1290342	CONNECTOR,DISCHARGE	2
29	OM-700030511	CAPSCREW,DISCHARGE CONNECTOR(WASHER INCLUDED)	16
30	OM-7619050	WASHER,LOCK 1/2"	16
31	OM-1290343	ADAPTER,DISCHARGE CONNECTOR	2
32	OM-2410031348	SEAL,DISCHARGE CONNECTOR TO DISCHARGE ADAPTER	2
33	OM-2410031427	SEAL DISCHARGE CONNECTOR & DISCHARGE ADAPTER	4
34	OM-1291166	ASSEMBLY,LINER CLAMP	3



35	OM-700040311	CAPSCREW,LINER CLAMP	6
36	OM-6309100	NUT LINER CAPSCREW	6
37	OM-1291169	PIN,CONNECTOR	3
38	OM-1290168	CONNECTOR,LINER CLAMP	3
39	OM-2402560	STUD, TOP TAPER LOCK	16
40	OM-6300200	NUT,STUD	16

## NATIONAL 9-P-100

### FLUID END MODULE AND ACCESSORIES





## NATIONAL 9-P-100

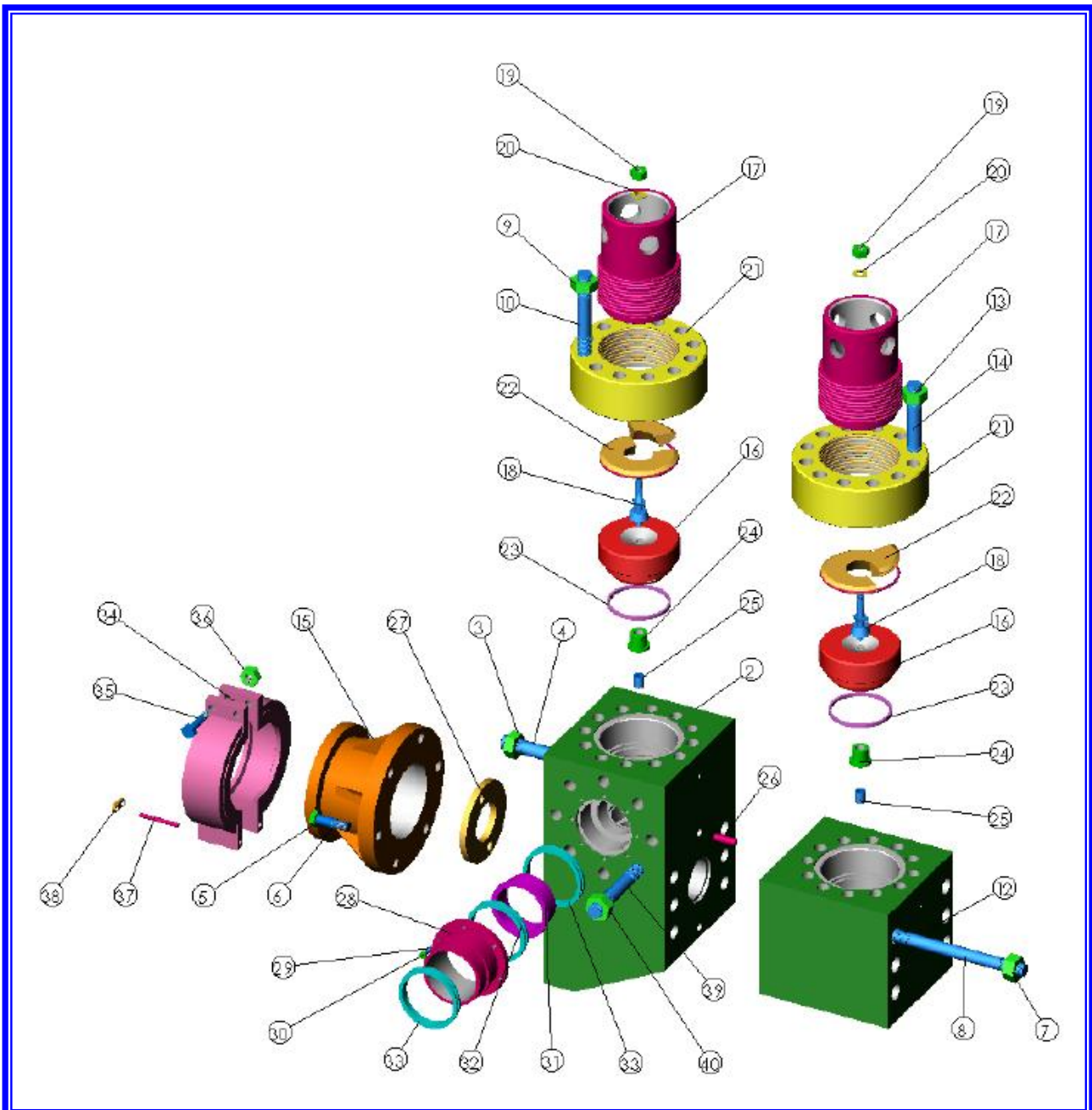
### FLUID END MODULE AND ACCESSORIES

ITEM	PART NUMBER	DESCRIPTION	QTY/PUMP
		FLUID END MODULE COMPLETE ASSEMBLY	3
1	OM-1293240	MODULE,STUDED FLUID END DISCHARGE(INCLUDES ITEM 2-10)	3
2	OM-1293241	DISCHARGE MODULE ONLY	3
3	OM-6300200	NUT, POWER FRAME STUD	24
4	OM-2408330	STUD, POWER FRAME	24
5	OM-6300160	NUT,LINER BUSHING STUD	18
6	OM-2408018	STUD, LINER BUSHING	18
7	OM-6300241	NUT, DISCHARGE TO SUCTION MODULE STUD	18
8	OM-2408034	STUD, DISCHARGE MODULE TO SUCTION MODULE	18
9	OM-6300220	NUT, THREADED RING STUD	36
10	OM-2408019	STUD,THREADED RING	36
11	OM-1290338	MODULE, STUDED FLUID END SUCTION (INCLUDES ITEM 12-14)	3
12	OM-1290339	SUCTION MODULE ONLY	3
13	OM-6300220	NUT, THREADED RING STUD	36
14	OM-2408019	STUD, THREADED RING	36
15	OM-1293165	BUSHING, LINER	3
16	OM-1290174	RETAINER,SEAL	6
17	OM-1290307	CAP, VALVE COVER(THREADED)	6
18	OM-1290178	SCREW, ADJUSTING WEDGE	6
19	OM-6300160	NUT, WEDGE ADJUSTING SCREW	6
20	OM-1290315	WASHER, WEDGE ADJUSTING SCREW	6
21	OM-1290308	RING, THREADED	6
22	OM-G-1290376	ASSEMBLY WEDGE(INCLUDES ITEM 18)	6
23	OM-1540126	GASKET, VALVE COVER	6
24	OM- 1292140	RETAINER, VALVE GUIDE BUSHING	6
25	OM-1292141	BUSHING, VALVE GUIDE	6
26	OM-6511416	PIN, DOWELL	6
27	OM-1290357	PLATE, WEAR	3
28	OM-1290342	CONNECTOR,DISCHARGE	2
29	OM-70030511	CAPSCREW, DISCHARGE CONNECTOR (WASHER INCLUDED)	16
30	OM-7619050	WASHER, LOCK 1/2"	16
31	OM-1290343	ADAPTER DISCHARGE CONNECTOR	2
32	OM-2410031348	SEAL DISCHARGE CONNECTOR TO DISCHARGE ADAPTER	2
33	OM-2410031427	SEAL, DISCHARGE CONNECTOR & DISCHARGE ADAPTER	4



34	OM-1293166	ASSEMBLY, LINER CLAMP	3
35	OM-7000448-11	CAPSCREW, LINER CLAMP	6
36	OM-6309120	NUT, 3/4" LOCK TYPE	6
37	OM-1290169	PIN, CONNECTOR	3
38	OM-1290168	CONNECTOR, LINER CLAMP	3
39	OM-2402560	STUD, TOP TAPER LOCK	16
40	OM-6300200	NUT, STUD(BLIND RING AND WELD NECK FLANGES)	16

FLUID END MODULE  
AND ACCESSORIES



\*Only for Ref.



## NATIONAL 10-P-130

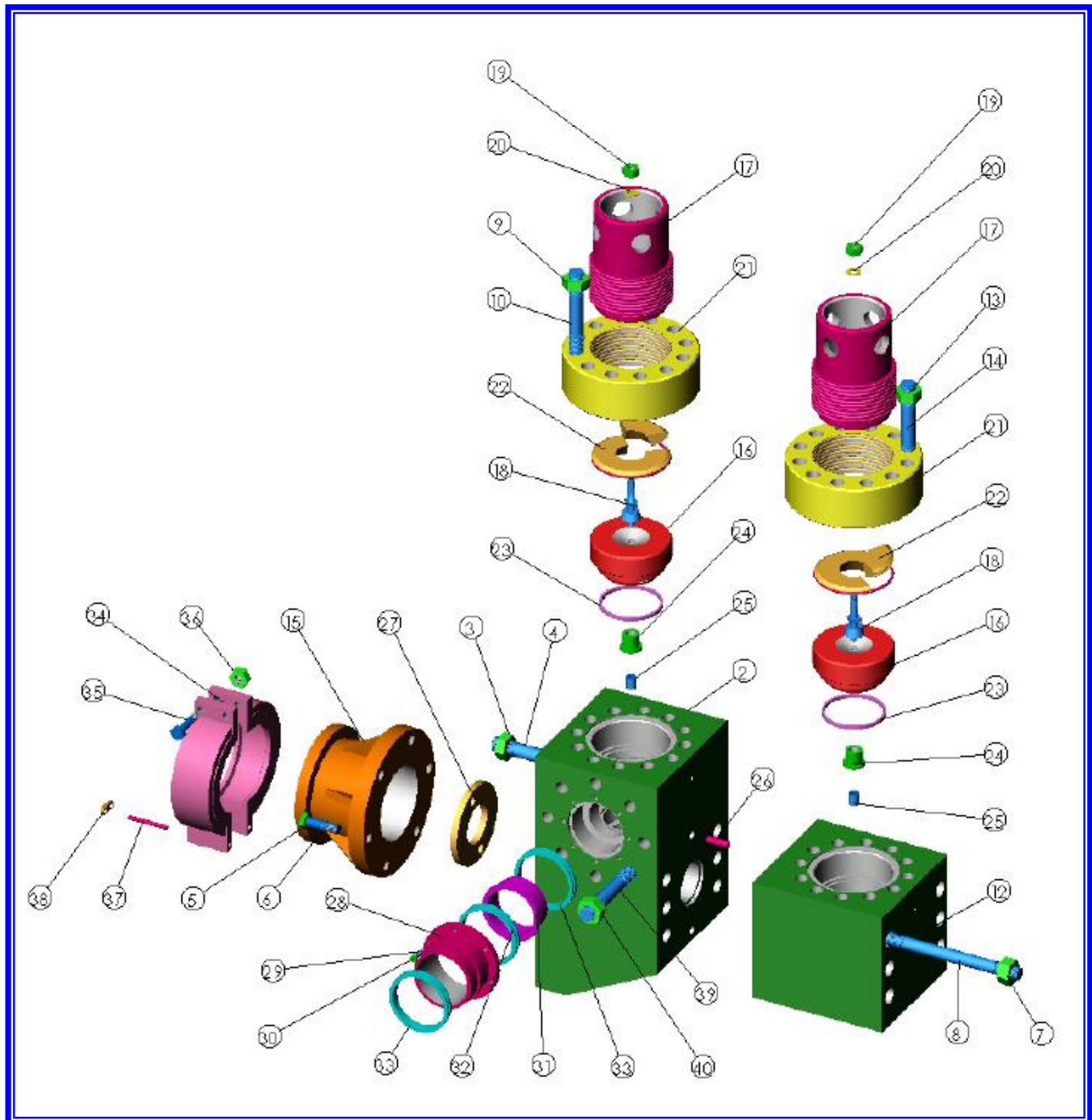
### FLUID END MODULE AND ACCESSORIES

ITEM	PART NUMBER	DESCRIPTION	QTY/PUMP
		FLUID END MODULE COMPLETE ASSEMBLY	3
1	OM-1290335	MODULE,STUDED FLUID END DISCHARGE(INCLUDES ITEM 2-10)	3
2	OM-1290336	DISCHARGE MODULE ONLY	3
3	OM-6300240	NUT,POWER FRAME STUD	24
4	OM-2408020	STUD,POWER FRAME	24
5	OM-6300160	NUT,LINER BUSHING STUD	18
6	OM-2408018	STUDS,1*5-7/8" DISCHARGE TO LINER BUSHING	18
7	OM-6300241	NUT,DISCHARGE TO SUCTION MODULE STUD	18
8	OM-2408034	STUD,DISCHARGE MODULE TO SUCTION MODULE	18
9	OM-6300220	NUT,THREADED RING STUD	36
10	OM-2408019	STUD,THREADED RING	36
11	OM-1290338	MODULE,STUDED FLUID END SUCTION(INCLUDES ITEM 12-14)	3
12	OM-1290339	SUCTION MODULE ONLY	3
13	OM-6300220	NUT,STUD9BLIND RING AND WELD NECK FLANGES)	36
14	OM-2408019	STUD THREADED RING	36
15	OM-1290165	BUSHING,LINER	3
16	OM-1290174	RETAINER SEAL	6
17	OM-1290307	CAP,VALVE COVER(THREADED)	6
18	OM-1290178	SCREW,ADJUSTING WEDGE	6
19	OM-6300160	NUT,WEDGE ADJUSTING SCREW	6
20	OM-1290315	WASHER,WEDGE ADJUSTING SCREW	6
21	OM-1290308	RING,THREADED	6
22	OM-G1290376	ASSEMBLY,WEDGE	6
23	OM-1540126	GASKET,VALVE COVER	6
24	OM-1292140	RETAINER VALVE GUIDE BUSHING	6
25	OM-1292141	BUSHING,VALVE GUIDE	6
26	OM-6511416	PIN,DOWELL	6
27	OM-1290357	PLATE,WEAR	3
28	OM-1290342	CONNECTOR,DISCHARGE	2
29	OM-700030511	CAPSCREW,DISCHARGE CONNECTOR(WASHER INCLUDED)	16
30	OM-7619050	WASHER,LOCK 1/2"	16
31	OM-1290343	ADAPTER DISCHARGE CONNECTOR	2
32	OM-2410031348	SEAL,DISCHARGE CONNECTOR TO DISCHARGE ADAPTAR	2
33	OM-2410031427	SEAL,DISCHARGE CONNECTOR & DISCHARGE ADAPTAR	4



34	OM-1290166	ASSEMBLY,LINER CLAMP	3
35	OM-700044811	CAPSCREW,LINER CLAMP	6
36	OM-6309120	NUT,LINER CAPSCREW	6
37	OM-1290169	PIN,CONNECTOR	3
38	OM-1290168	CONNECTOR,LINER CLAMP	3
39	OM-2402560	STUD, TOP TAPER LOCK	16
40	OM-6300200	NUT,1-1/4" HVY HEX	16

FLUID END MODULE  
AND ACCESSORIES





## NATIONAL 12-P-160

### FLUID END MODULE AND ACCESSORIES

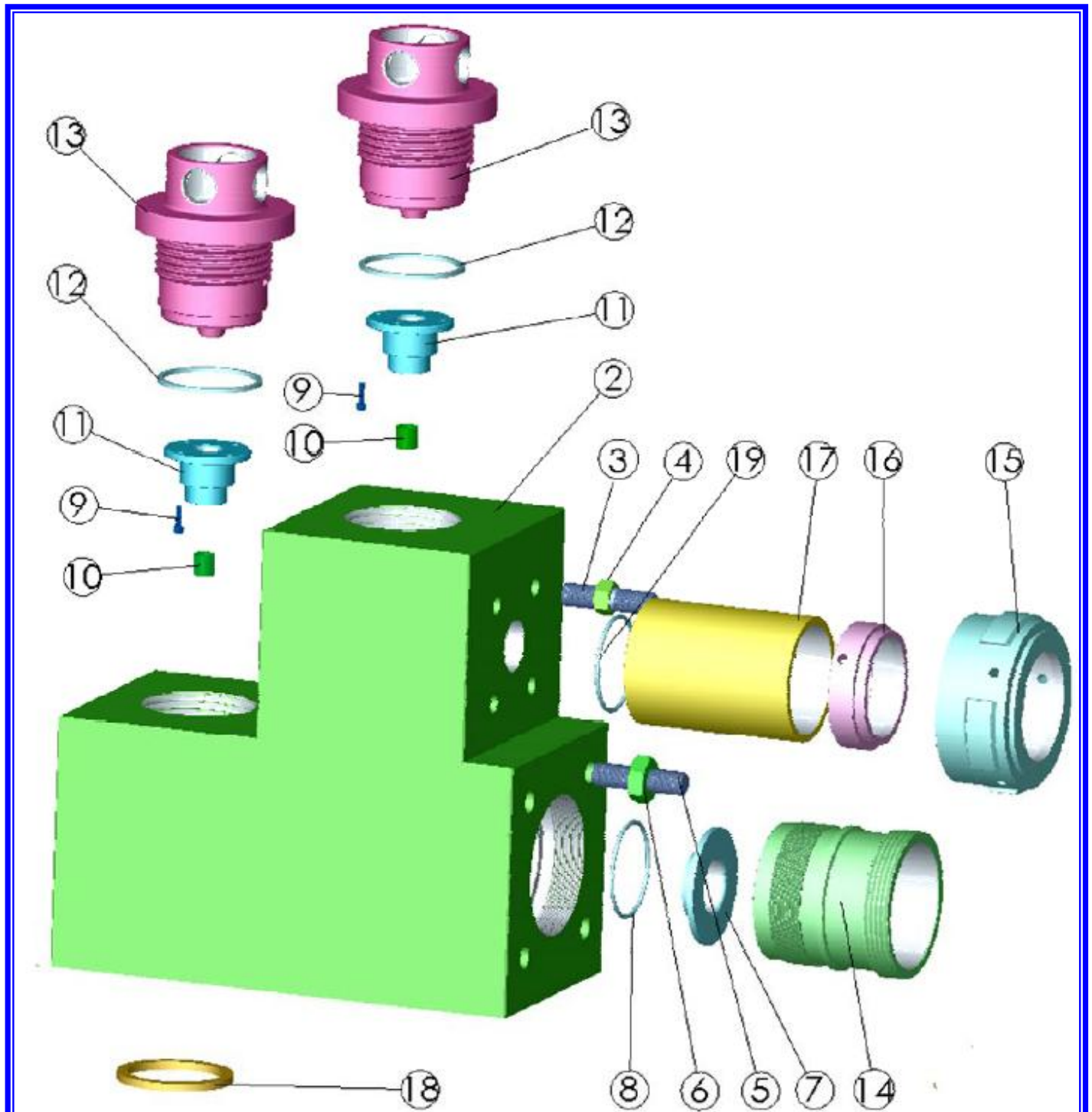
ITEM	PART NUMBER	DESCRIPTION	QTY/PUMP
		FLUID END MODULE COMPLETE ASSEMBLY	3
1	OM-1292240	MODULE,STUDED FLUID END DISCHARGE(INCLUDES ITEM 2-10)	3
2	OM-1292241	DISCHARGE MODULE ONLY	24
3	OM-6300220	NUT POWER FRAME STUD	24
4	OM-2408029	STUD,POWER FRAME	18
5	OM-6300180	NUT,LINER BUSHING STUD	18
6	OM-2408028	STUD,LINER BUSHING	18
7	OM-6300281	NUT,DISCHARGE TO SUCTION MODULE STUD	18
8	OM-2408033	STUD DISCHARGE MODULE TO SUCTION MODULE	36
9	OM-8300240	NUT,THREADED RING STUD	36
10	OM-2408027	STUD,THREADED RING	3
11	OM-1292243	MODULE STUDED FLUID END SUCTION(INCLUDES ITEM 12.13.14)	3
12	OM-1292244	SUCTION MODULE ONLY	36
13	OM-6300240	NUT,THREADED RING STUD	36
14	OM-2408027	STUD,THREADED RING	3
15	OM-1292165	BUSHING,LINER	6
16	OM-1292174	RETAINER,SEAL	6
17	OM-1292172	CAP,VALVE COVER(THREADED)	6
18	OM-1292178	SCREW,ADJUSTING WEDGE	6
19	OM-1292171	NUT,WEDGE ADJUSTING SCREW	6
20	OM-6300182	WASHER,WEDGE ADJUSTING SCREW	6
21	OM-1292176	RING,THREADED	6
22	OM-G1292268	ASSEMBLY,WEDGE(INCLUDES ITEM 18)	6
23	OM-1540127	GASKET VALVE COVER	6
24	OM-1292140	RETAINER VALVE GUIDE BUSHING	6
25	OM-1292141	BUSHING,VALVE GUIDE	6
26	OM-6511416	PIN,DOWELL	6
27	OM-1292266	PLATE,WEAR	3
28	OM-1292252	CONNECTOR,DISCHARGE	2
29	OM-700030711	APSCREW,DISCHARGE CONNECTOR	16
30	N/A	WASHER,LOCK	16
31	OM-1292253	ADAPTER,DISCHARGE CONNECTOR	2
32	OM-2410031433	SEAL,DISCHARGE CONNECTOR TO DISCHARGE ADAPTER	2
33	OM-2410031437	SEAL DISCHARGE CONNECTOR & DISCHARGE ADAPTER	4





34	OM-1292166	ASSEMBLY,LINER CLAMP	3
35	OM-700049110	CAPSCREW,LINER CLAMP	6
36	OM-6309140	NUT,LINER CAPACREW	6
37	OM-1292169	PIN,CONNECTOR	3
38	OM-1292168	CONNECTOR,LINER CLAMP	3
39	OM-2408015	STUD, TOP TAPER LOCK(FOR BLIND RING AND WELD NECK FLANGES)	16
40	OM-6300240	NUT, STUD(BLING RING AND WELD NECK FLANGES)	16

**FLUID END MODULE  
AND ACCESSORIES**





\*Only for Ref.

## OILWELL A-850/1100/1400/1700-PT

### FLUID END MODULE AND ACCESSORIES

ITEM	PART NUMBER	DESCRIPTION	QTY/PUMP
		FLUID END MODULE COMPLETE ASSEMBLY	3
1	OM-10300181	FLUID END MODULE (STUDED) (INCLUDES ITEM 2-8)	3
2	OM-6621-282	FLUID END MODULE ONLY	3
3	OM-49001292	STUD, DISCHARGE MANIFOLD	12
4	OM-75511754	NUT, DISCHARGE MANIFOLD STUD	12
5	OM-49002837	STUD, POWER FRAME	12
6	OM-75510126	NUT, POWER FRAME STUD	12
7	OM-10300184	PLATE, WEAR	3
8	OM-20100008	GASKET, WEAR PLATE TO MODULE	3
9	OM-75632234	CAPSCREW, LOWER VALVE GUIDE	24
10	OM-202000004	BUSHING, VALVE GUIDE	6
11	OM-10300004	GUIDE VALVE	6
12	OM-10300011	GASKET, VALVE COVER	6
13	OM-10300005	COVER, VALVE	6
14	OM-10300183	ADAPTER LINER	3
15A	OM-10303092	NUT, LINER ADAPTER (FOR A350-PT & A-1100PT)	3
15	OM-10300182	NUT, LINER ADAPTER (FOR A1400-PT & A-1700PT)	3
16	OM-10300185	RING, LINER SPACER RING	3
17A	OM-10303091	SLEEVE, LINER CENTERING (FOR A-850-PT & A-1100-PT)	3
17	OM-10300188	SLEEVE, LINER CENTERING (FOR A-850-PT & A-1700-PT)	3
18	OM-10300201	GASKET, SUCTION MANIFOLD	3
19	OM-99-609-345	O-RING, DISCHARGE MANIFOLD	3
20	TMA17-STUDSSET	STUDS SET FOR A-850-PTDES A-1100-PT, A-1400-PT, A-1700-PT(INCLUDES 4PCS 49001292 4PCS 75511754, 4PCS 49002837, 4 PCS IS-75510126	3
21	TMA17-SEALKIT	MODULE SEAL KIT (INCLUDES SUCTION MANIFOLD GASKET, DISCHARGE MANIFOLD O-RING WEAR PLATE GASKET)	3

